

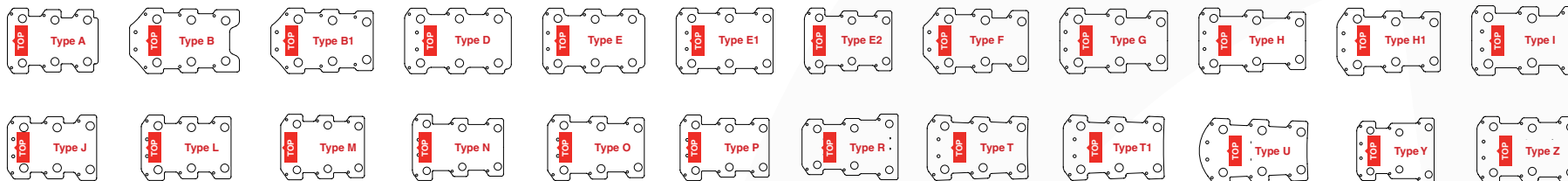
TRONICALTUNE PLUS

Template Types

There are different templates available for this Headstock – check which one fits your guitar following the guide below:



Tronical

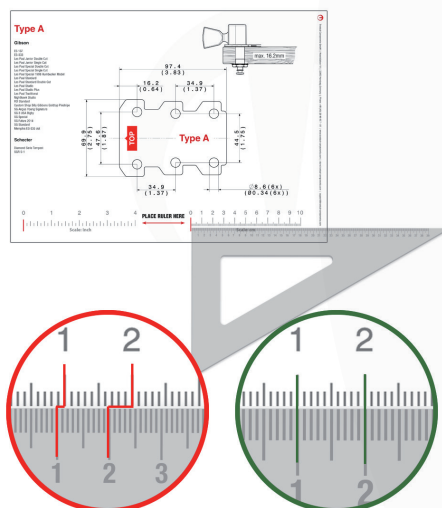


1. Printer Settings:

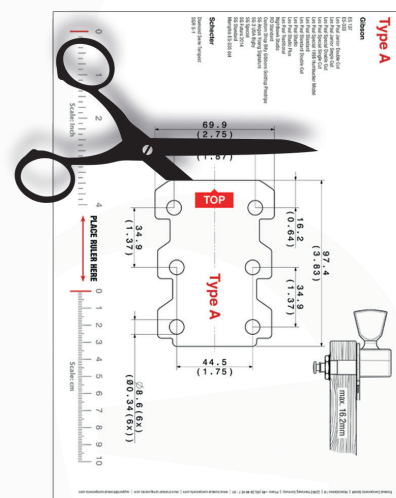
- Size Setting: 100%
- Page Adaption: None
- Page Scaling: None



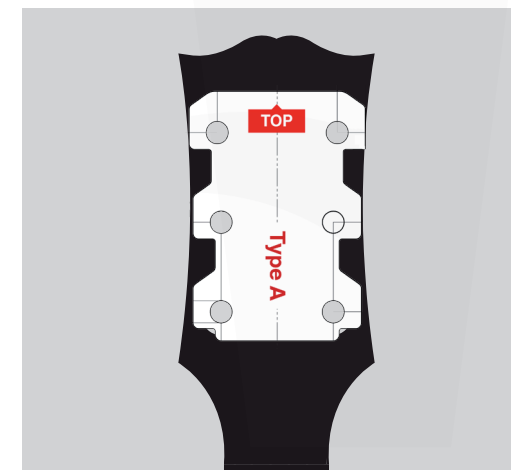
2. Place a ruler onto the printed templates to **check correct printout size**



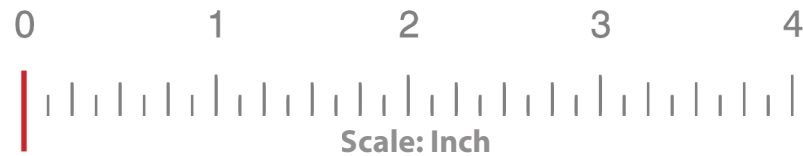
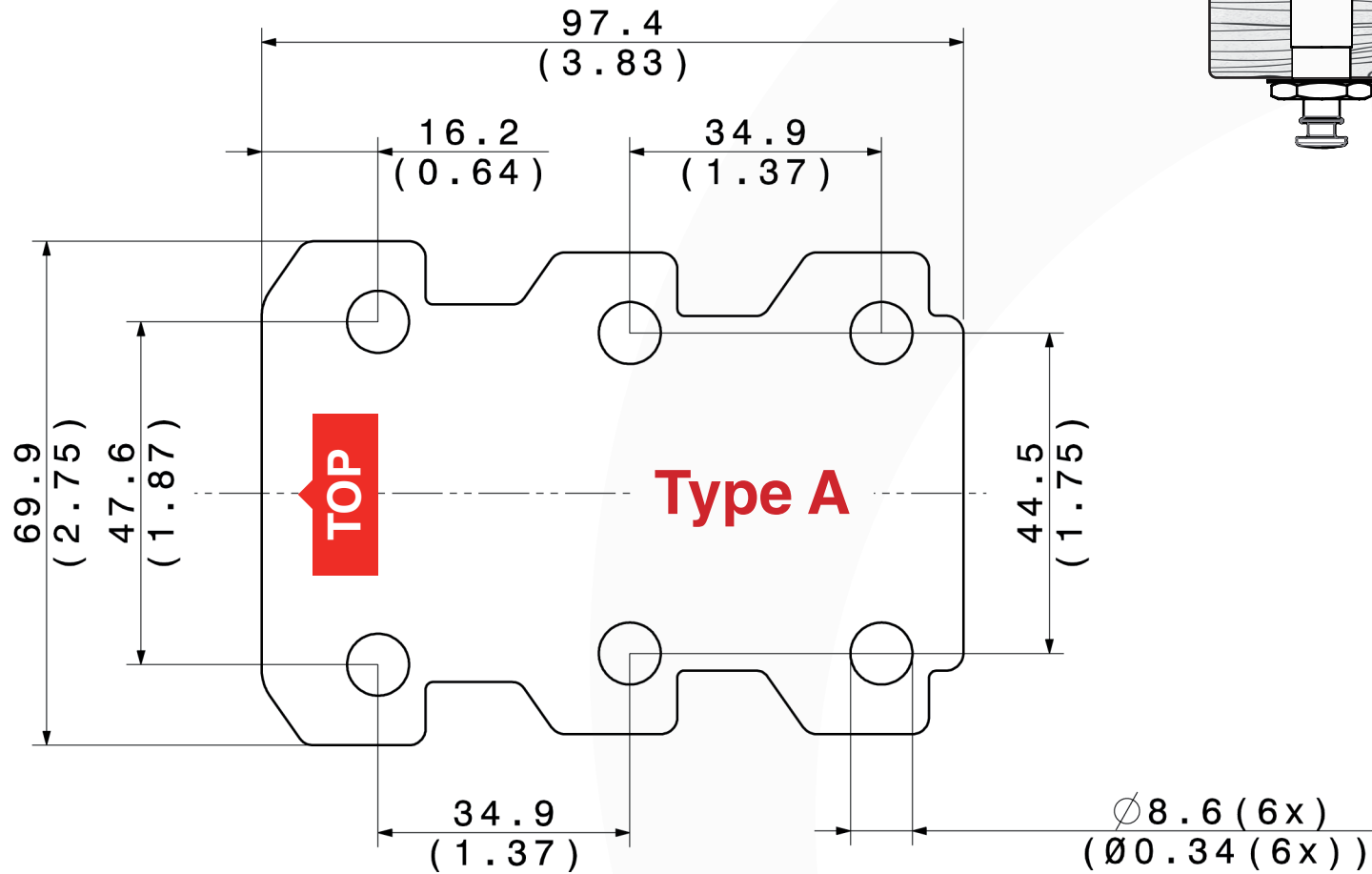
3. Cut-out the templates



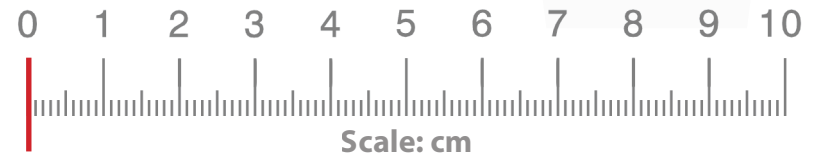
4. Place the templates **on the back** of your guitar headstock. Check if the holes of the template are congruent to the holes of your guitar. When they are congruent you identified the template that fits your guitar. Enter this type during the order process.



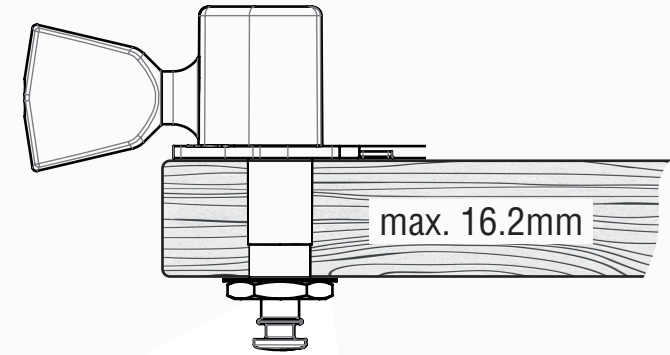
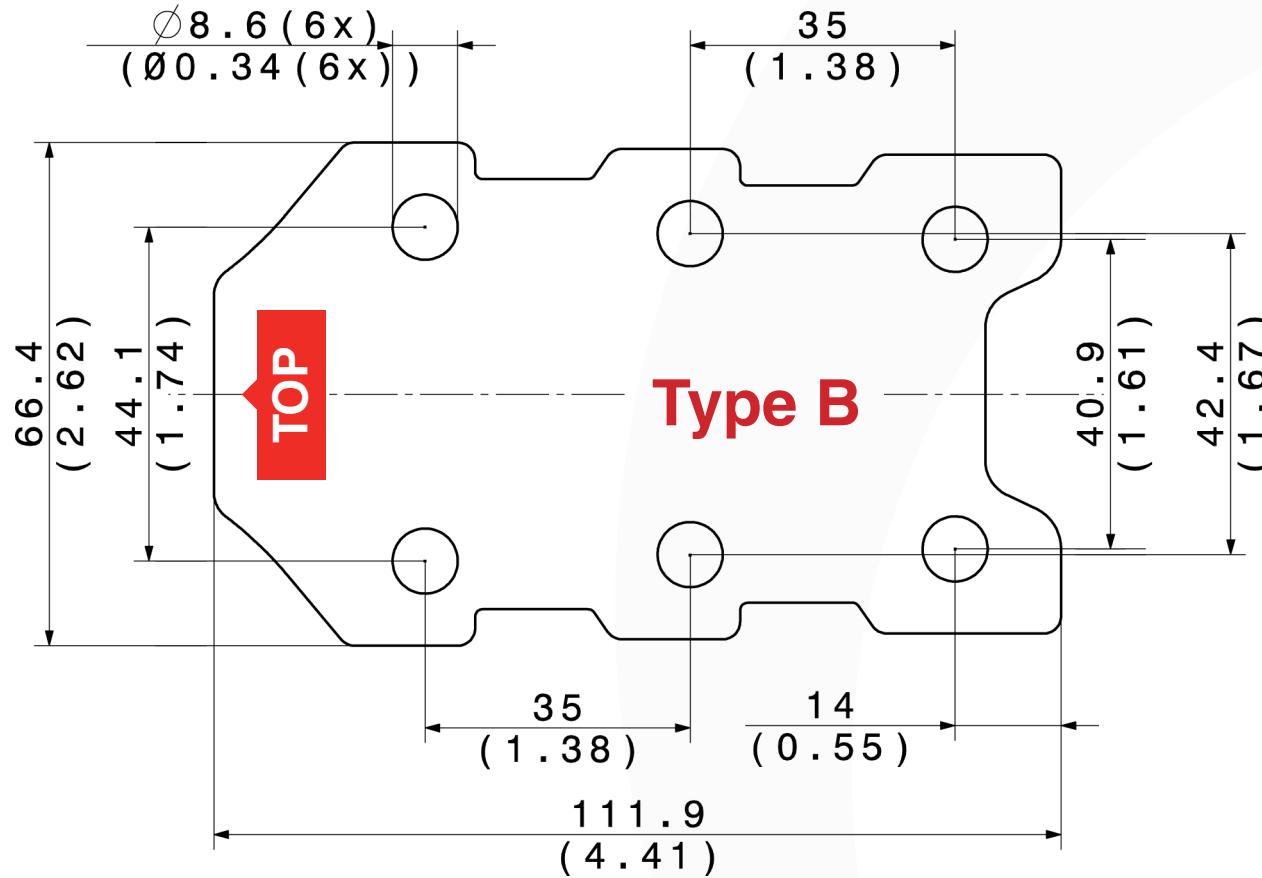
Type A



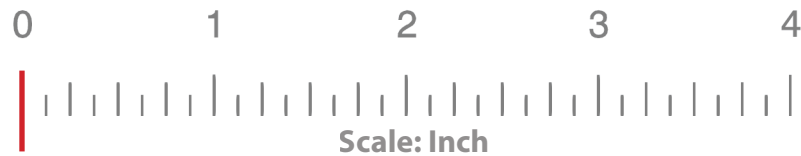
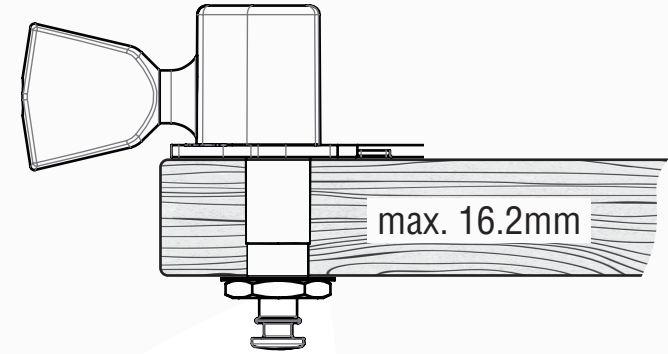
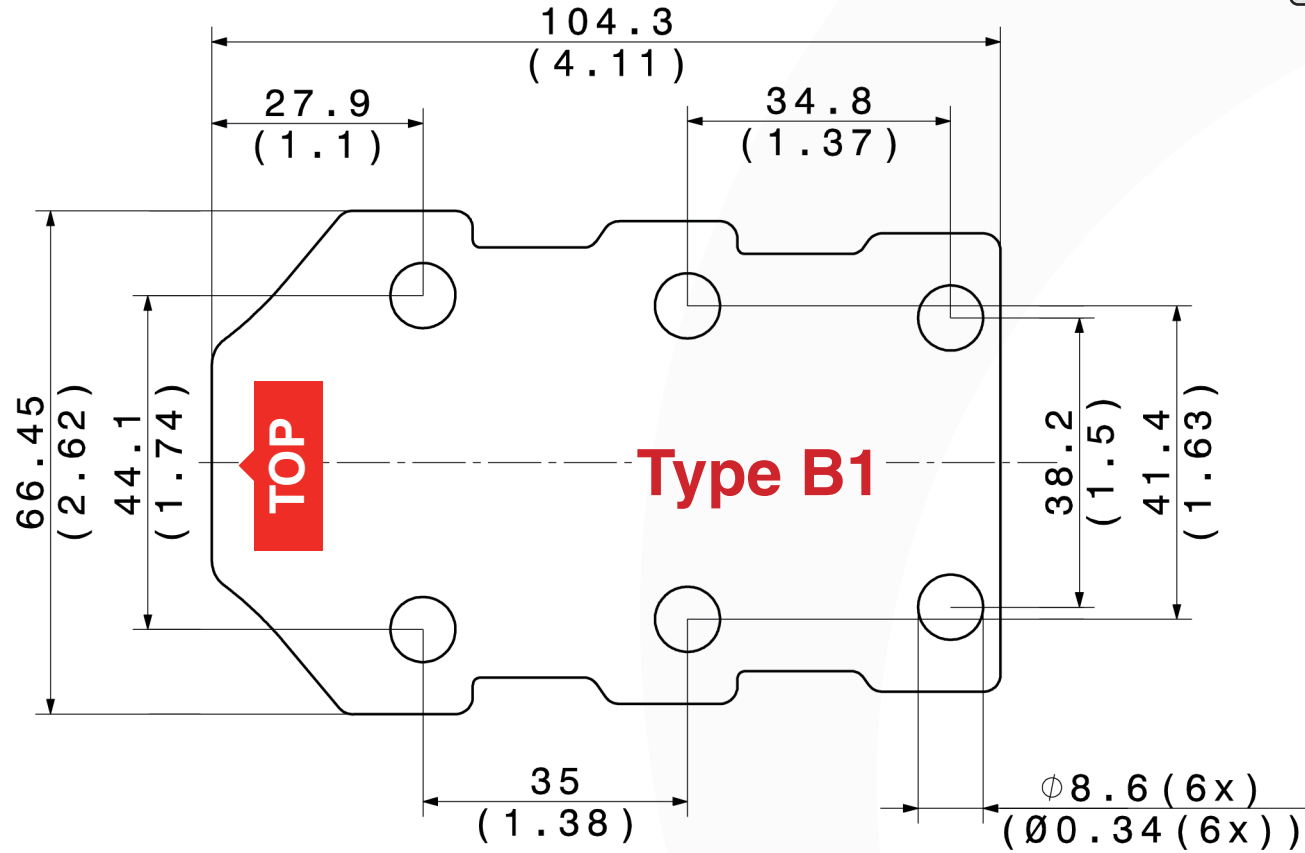
PLACE RULER HERE



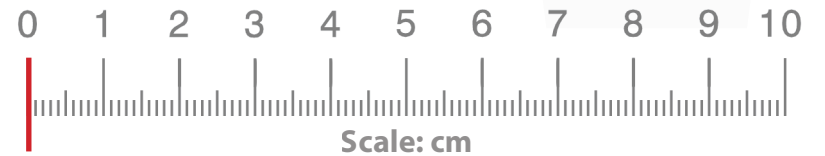
Type B



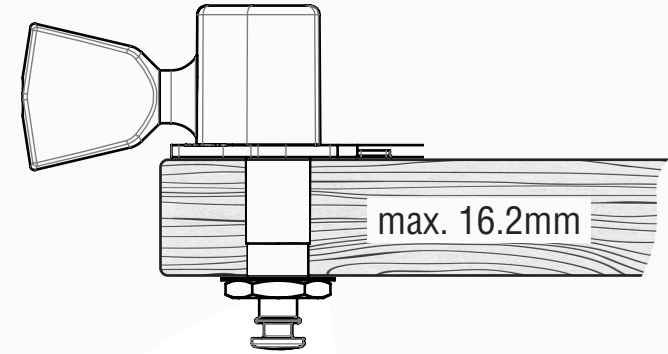
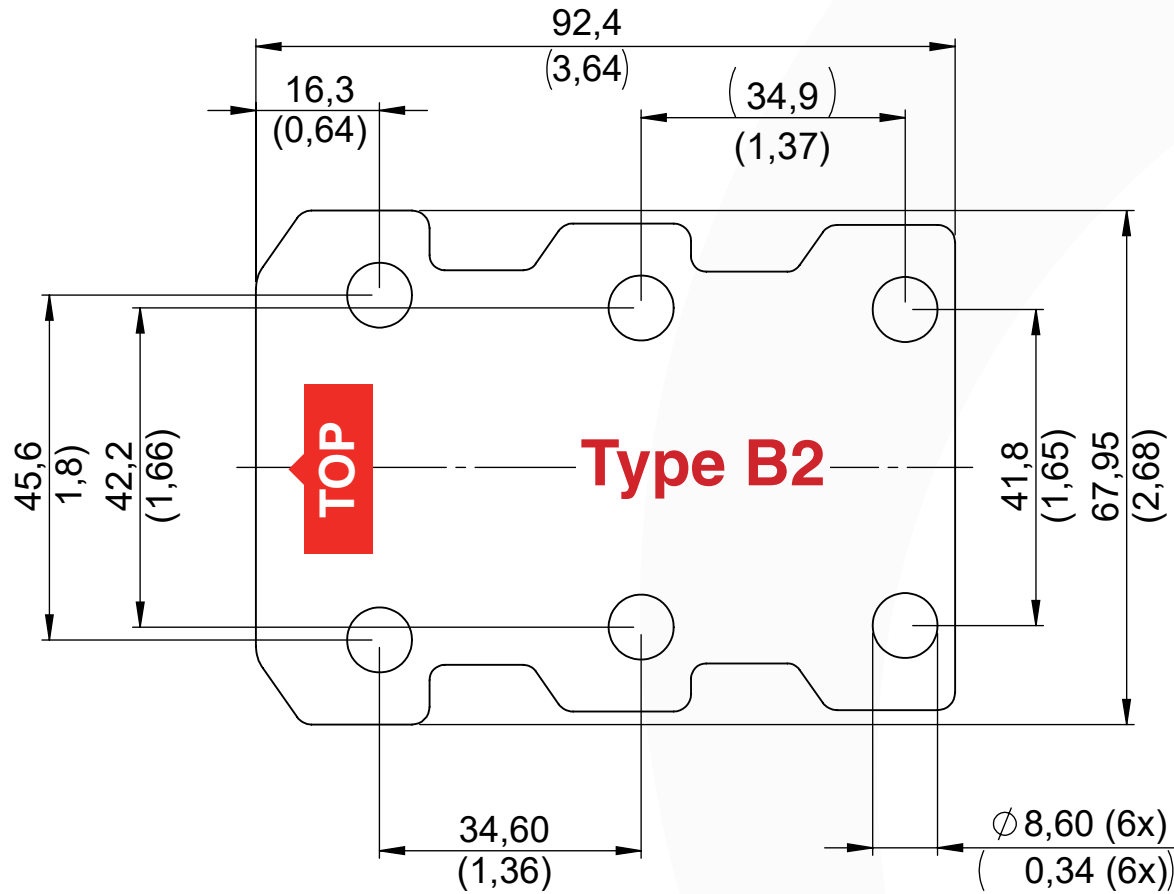
Type B1



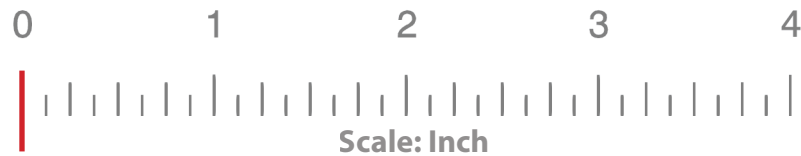
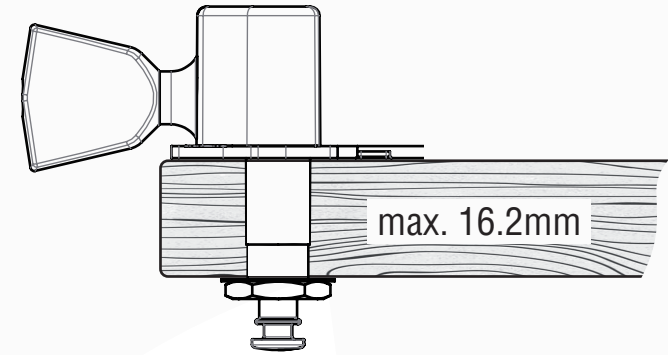
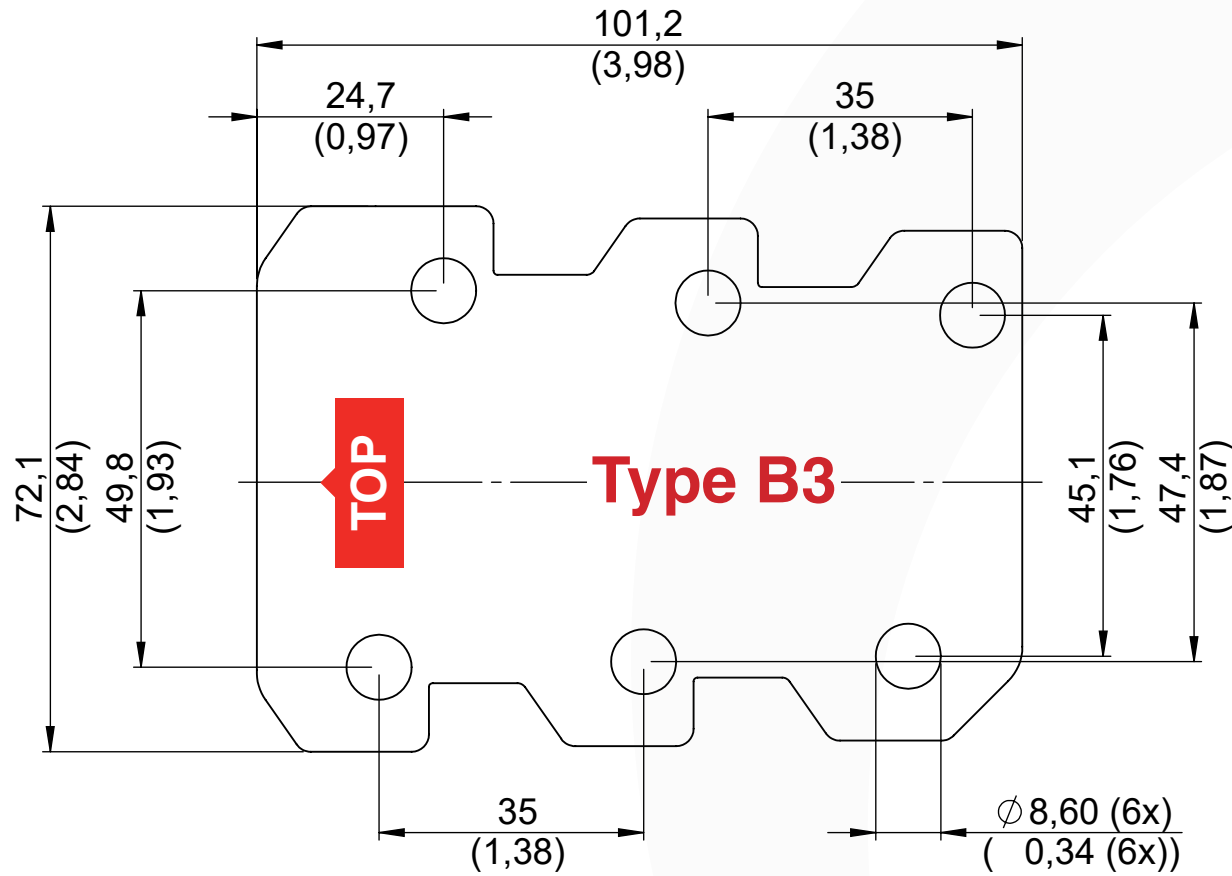
PLACE RULER HERE



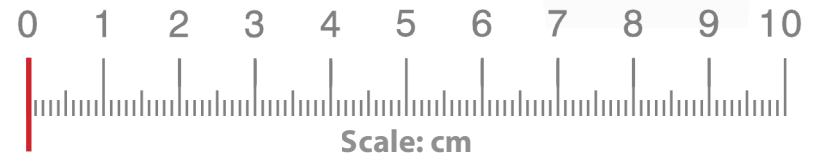
Type B2



Type B3



PLACE RULER HERE

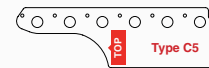
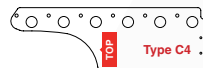
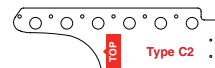
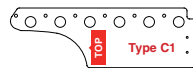
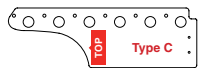


TRONICALTUNE PLUS

Template Types



There are different templates available for this Headstock – check which one fits your guitar following the guide below:

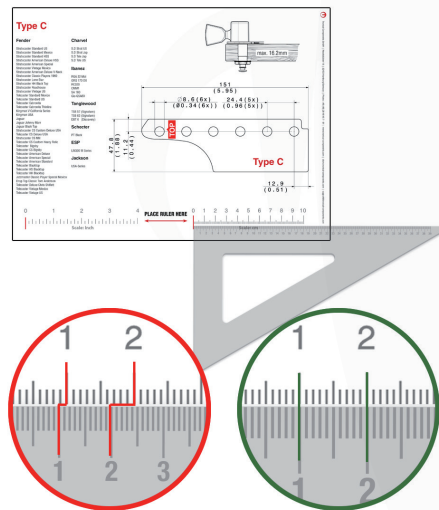


1. Printer Settings:

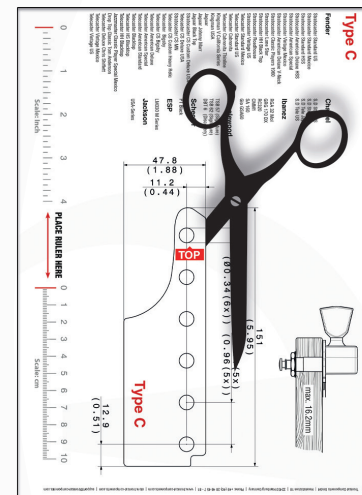
- Size Setting: 100%
- Page Adaption: None
- Page Scaling: None



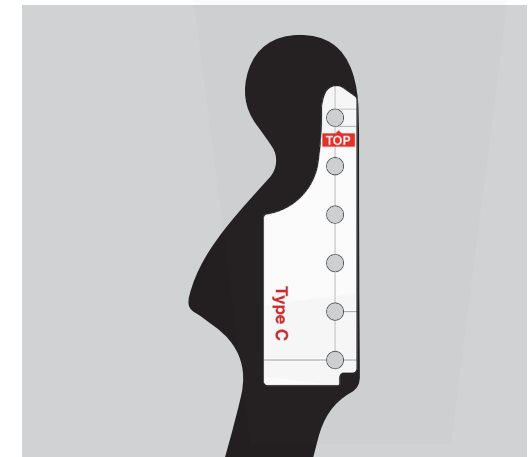
2. Place a ruler onto the printed templates to **check correct printout size**



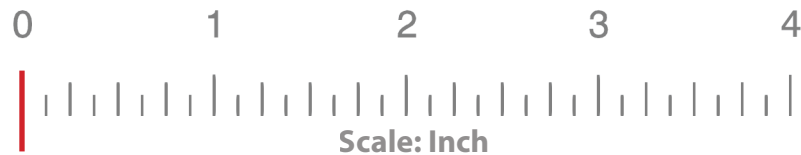
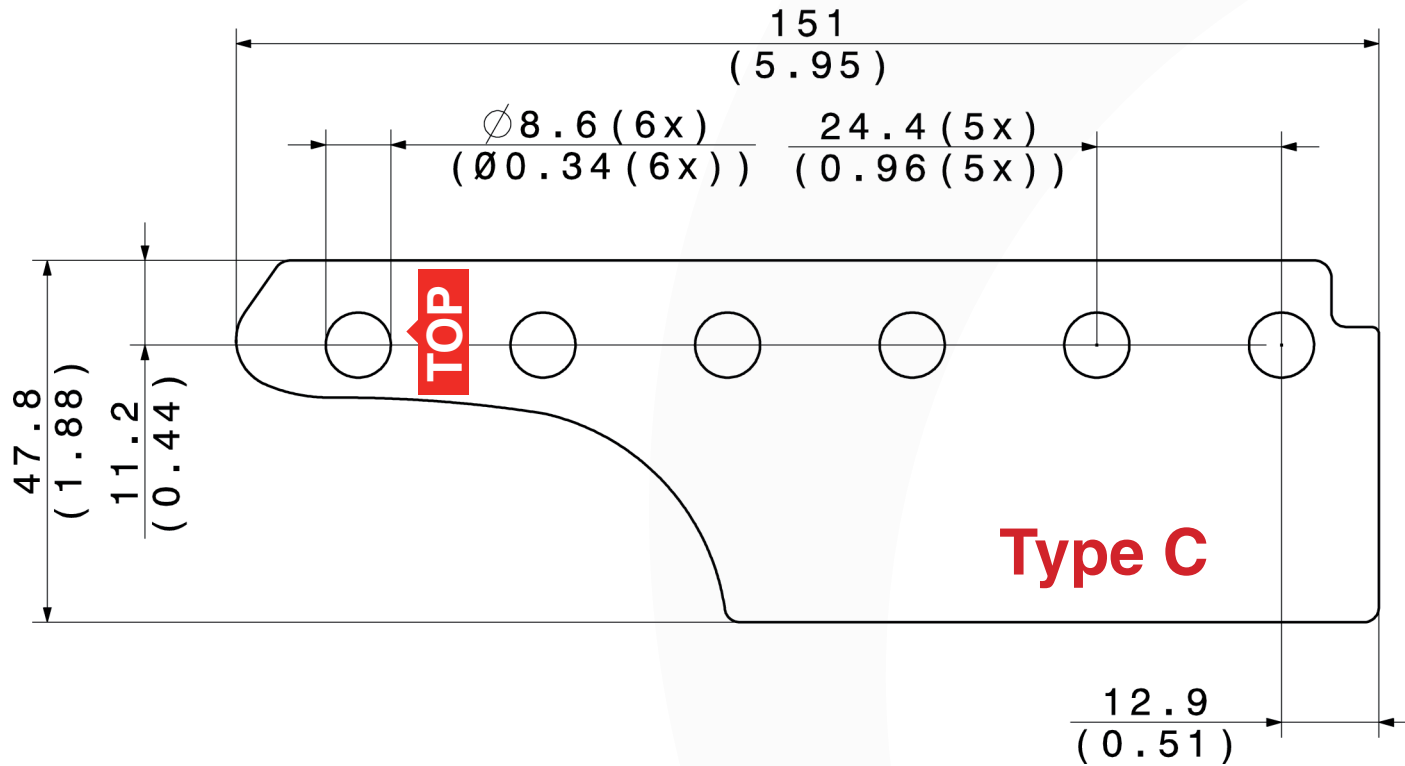
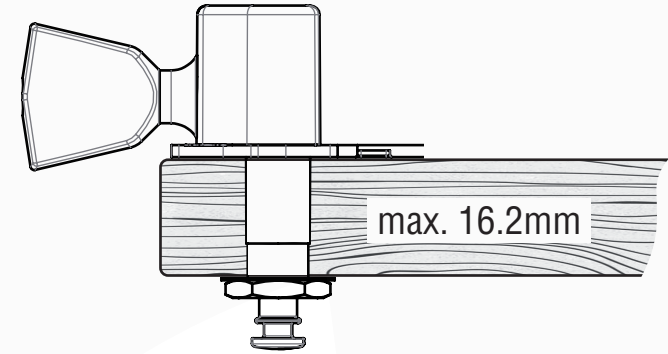
3. Cut-out the templates



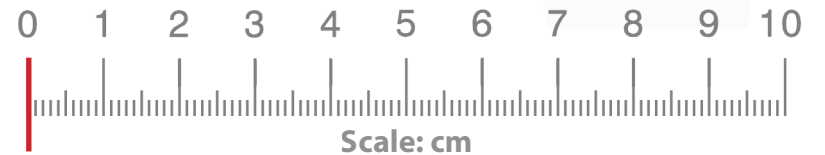
4. Place the templates **on the back** of your guitar headstock. Check if the holes of the template are congruent to the holes of your guitar. When they are congruent you identified the template that fits your guitar. Enter this type during the order process.



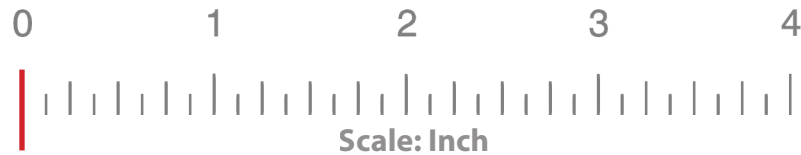
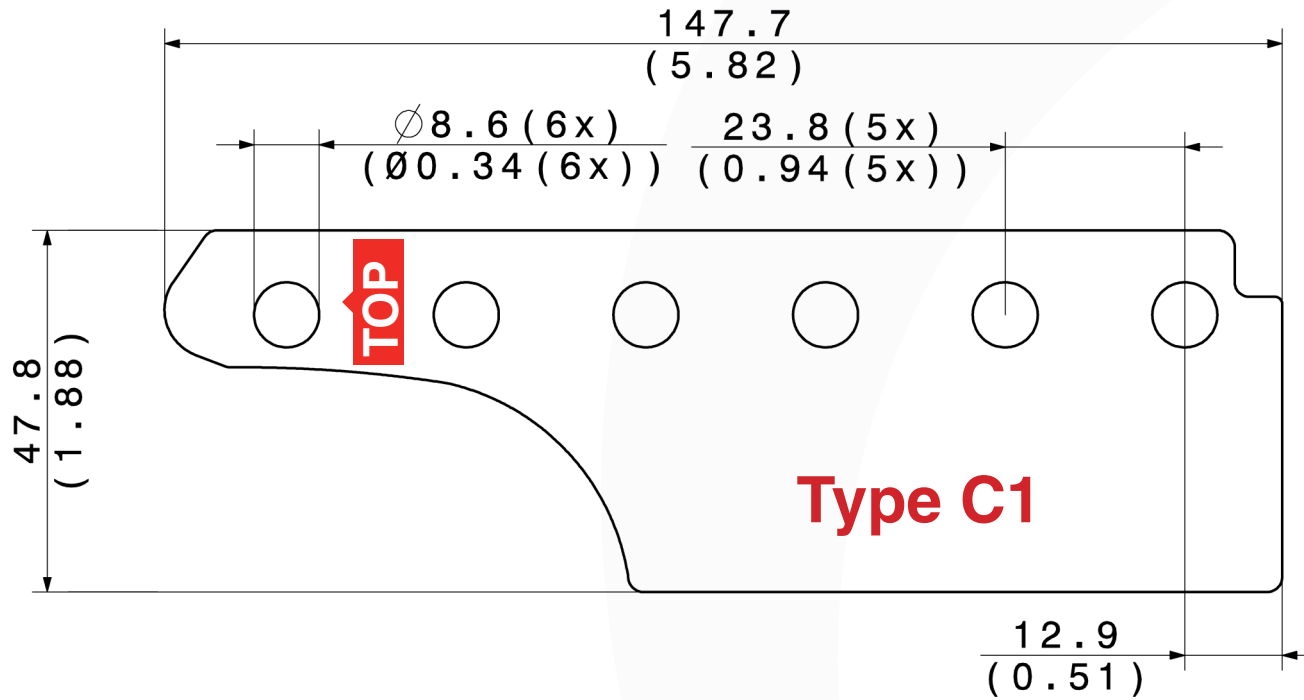
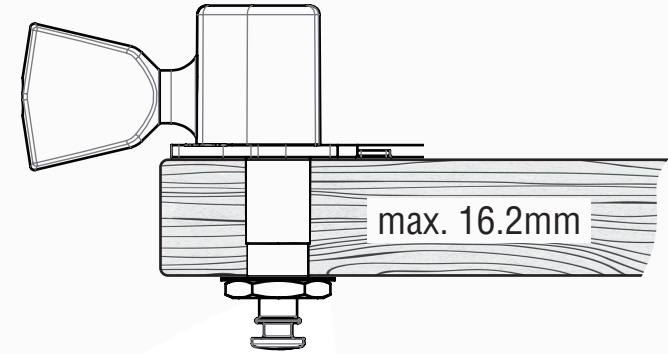
Type C



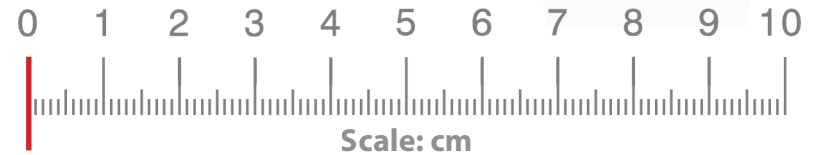
PLACE RULER HERE



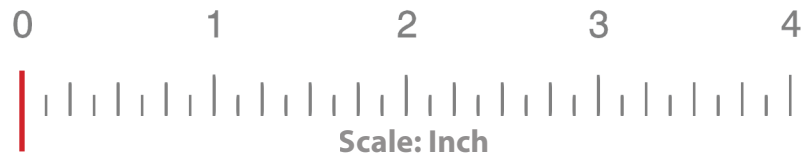
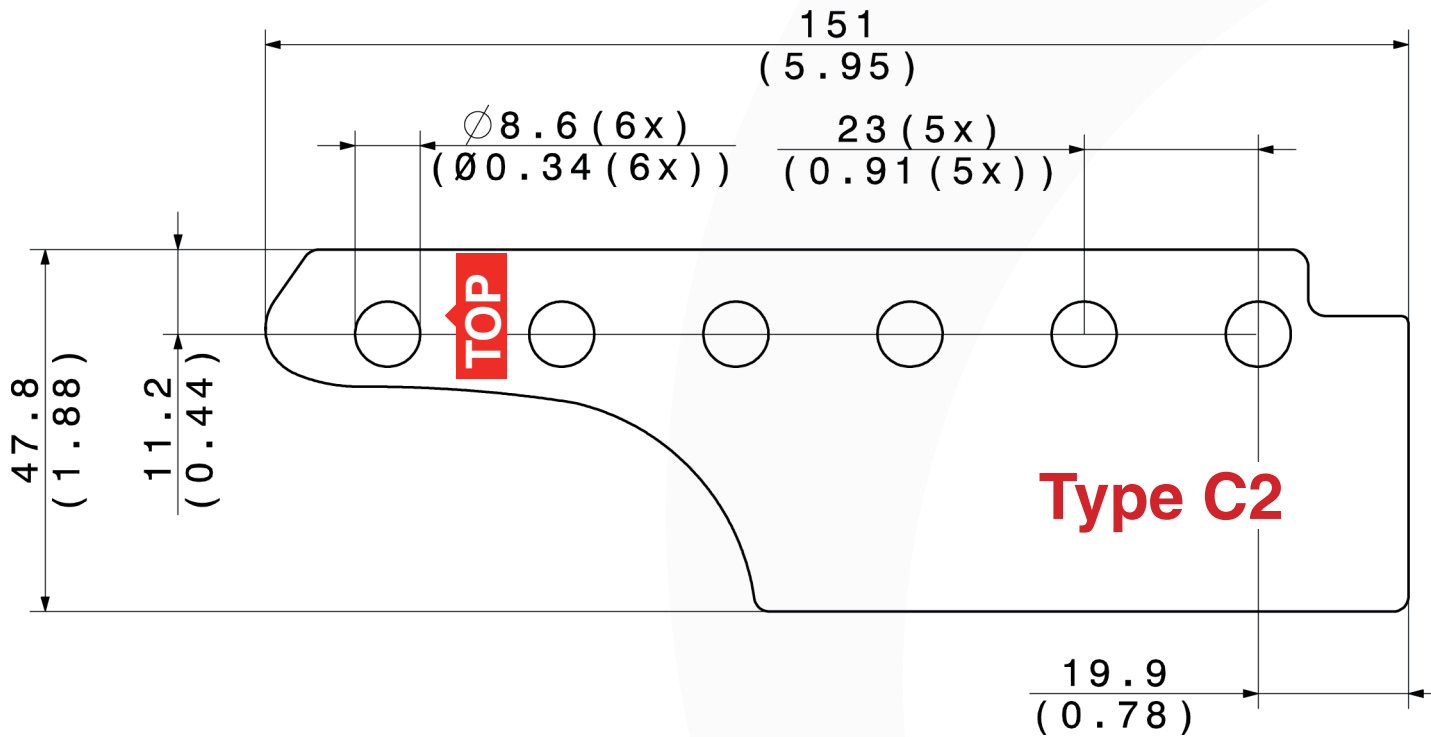
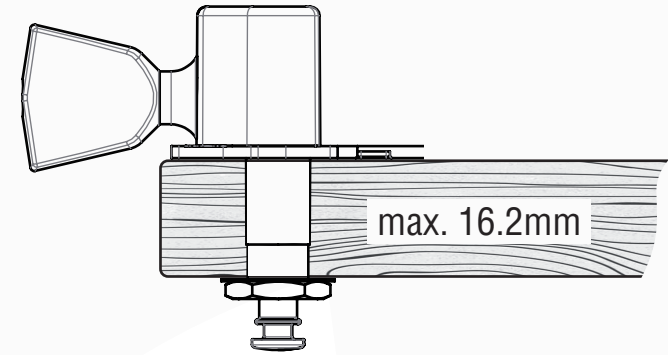
Type C1



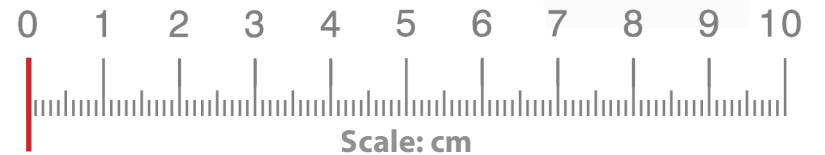
PLACE RULER HERE



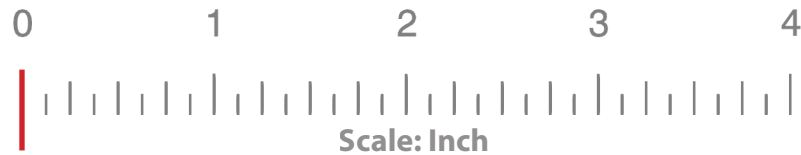
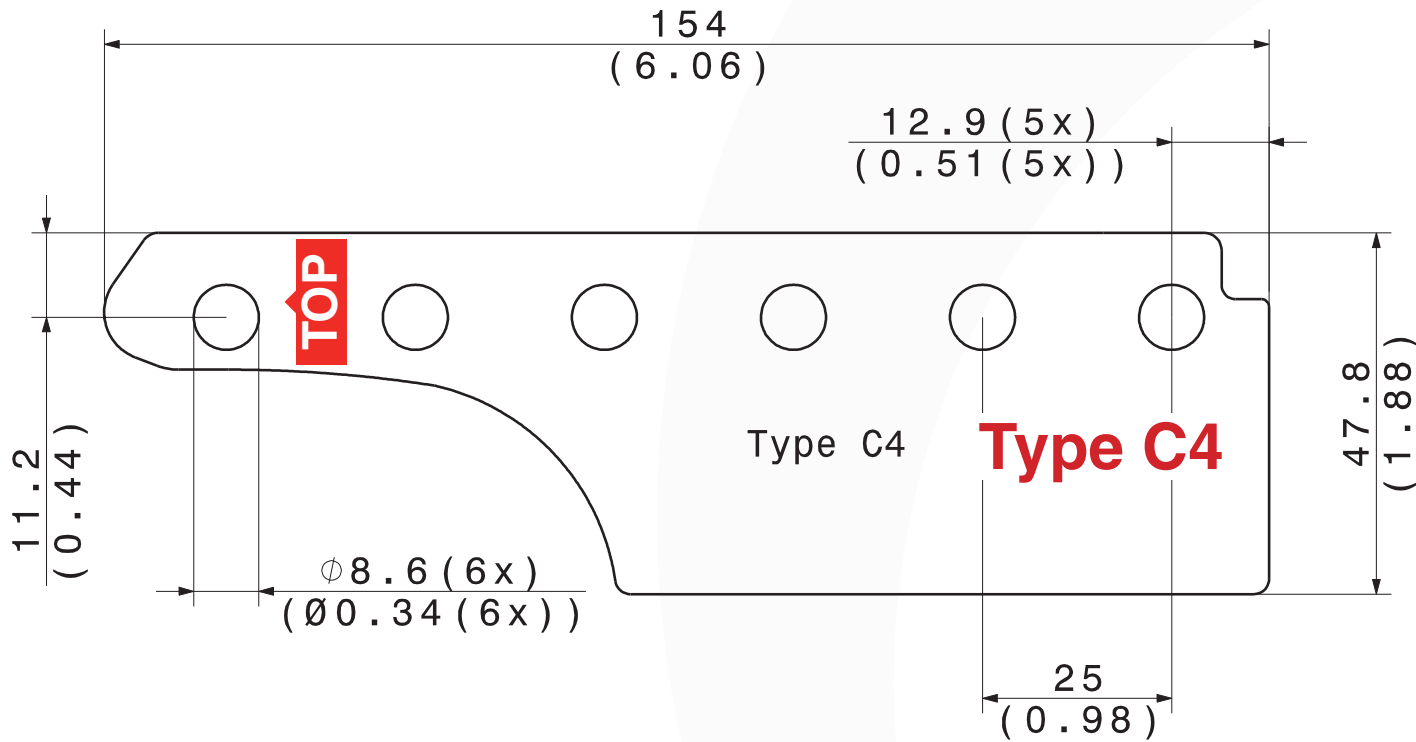
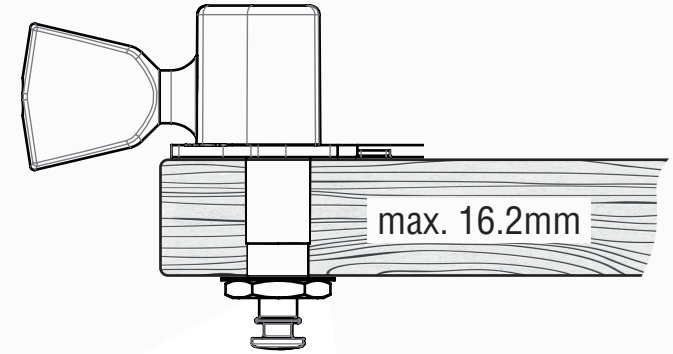
Type C2



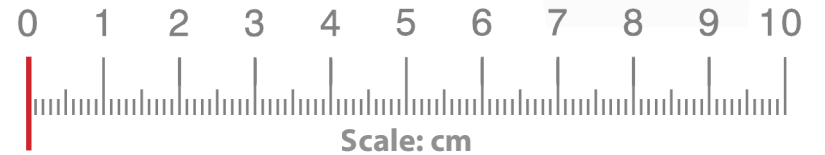
PLACE RULER HERE



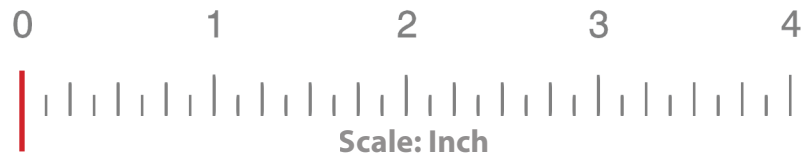
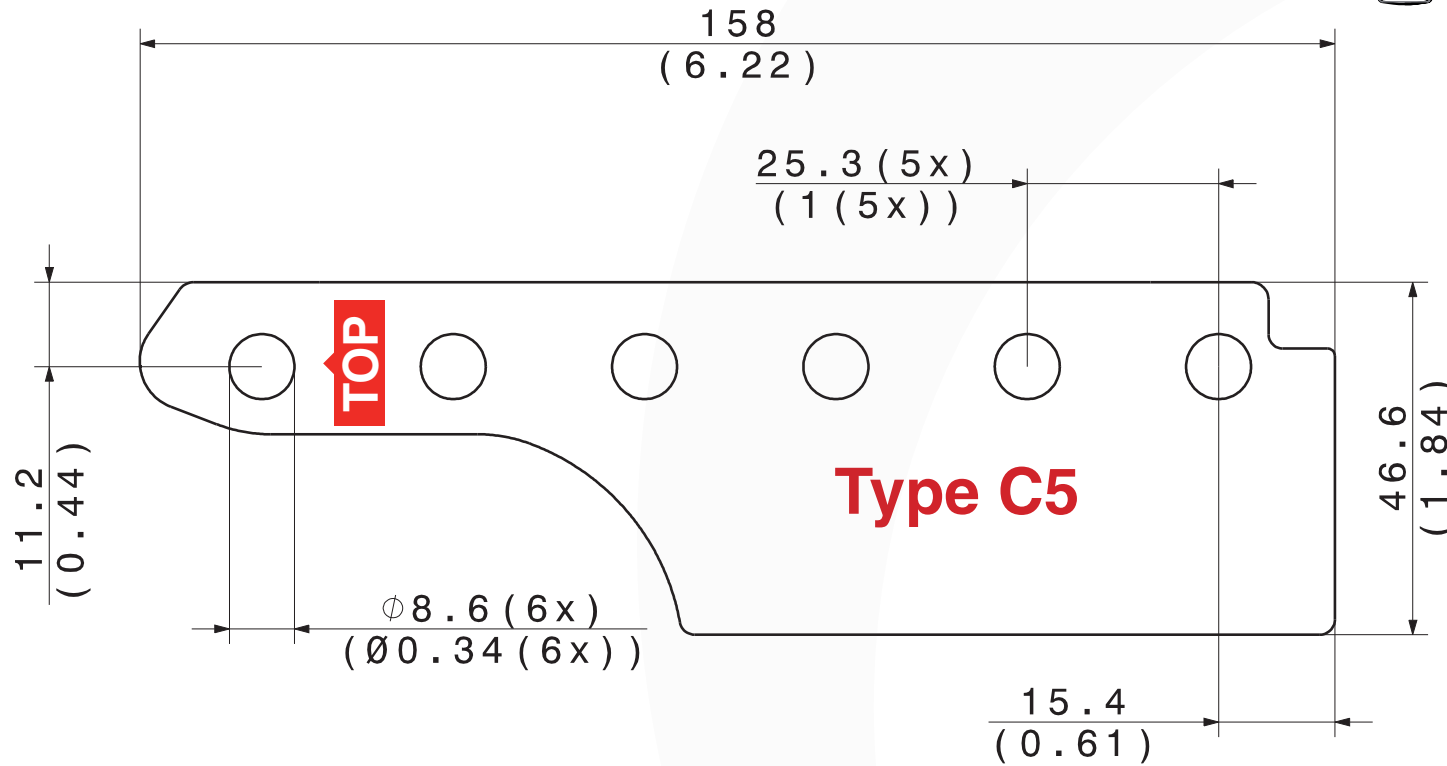
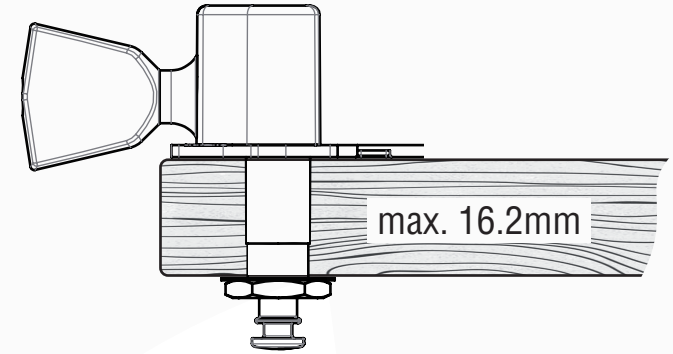
Type C4



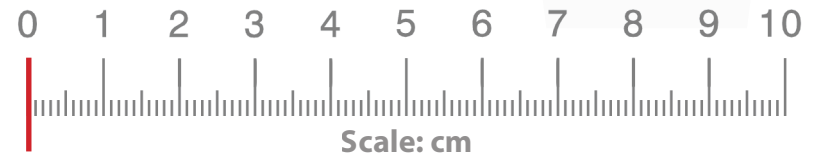
PLACE RULER HERE



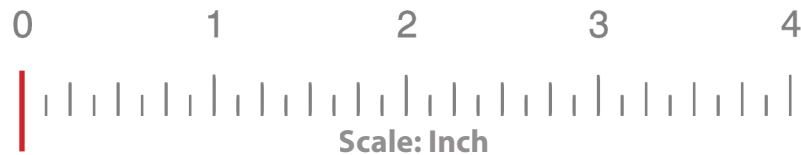
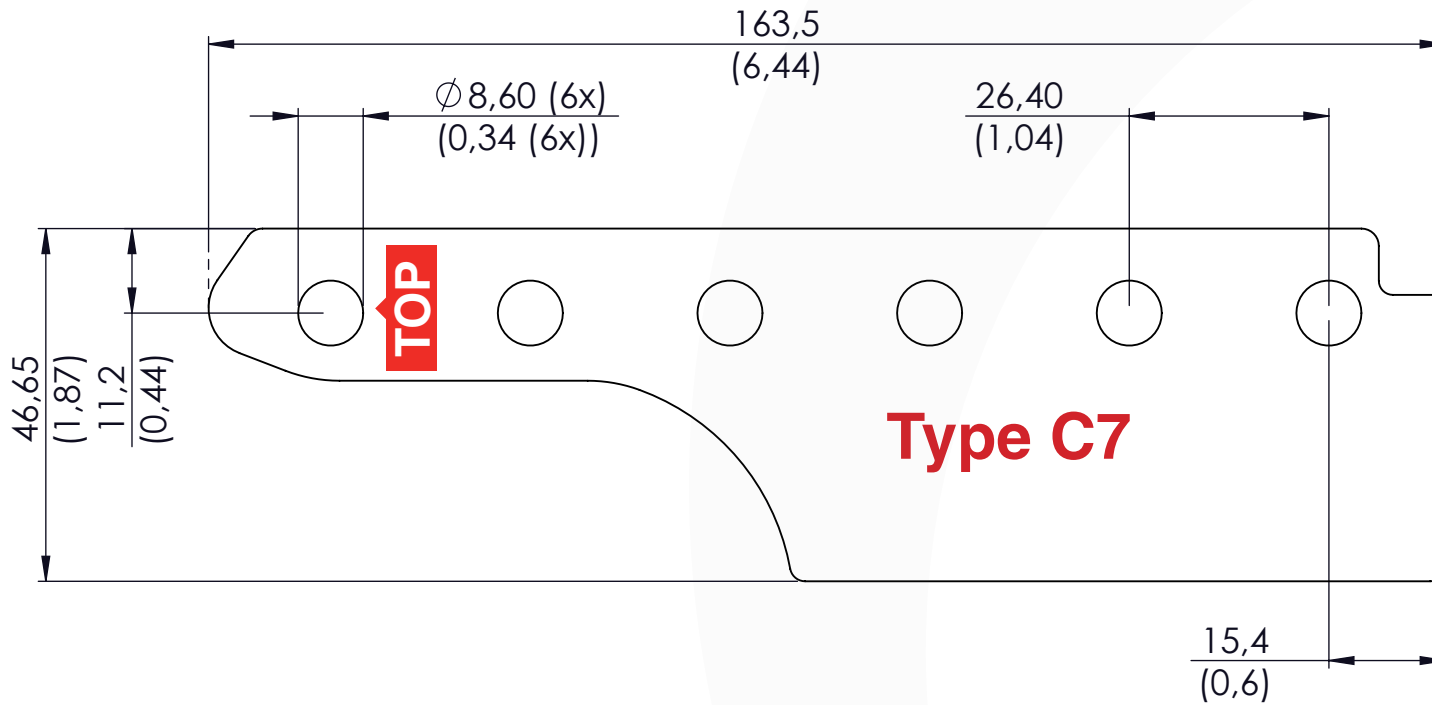
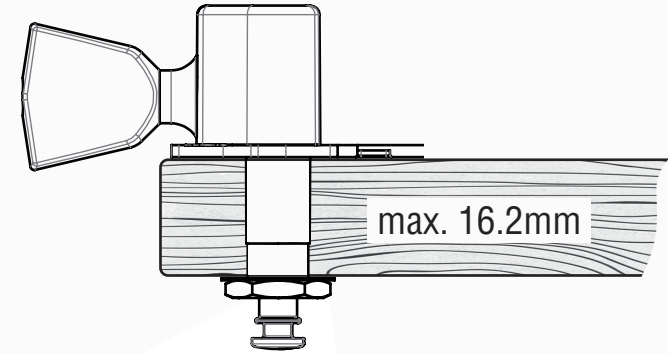
Type C5



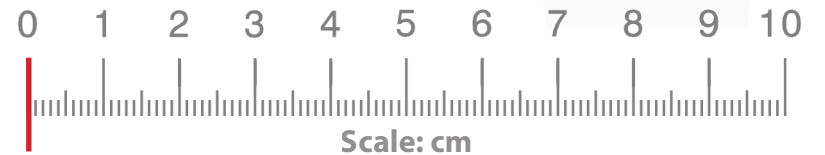
PLACE RULER HERE



Type C7



PLACE RULER HERE



TRONICALTUNE PLUS

Template Types



There are different templates available for this Headstock – check which one fits your guitar following the guide below:

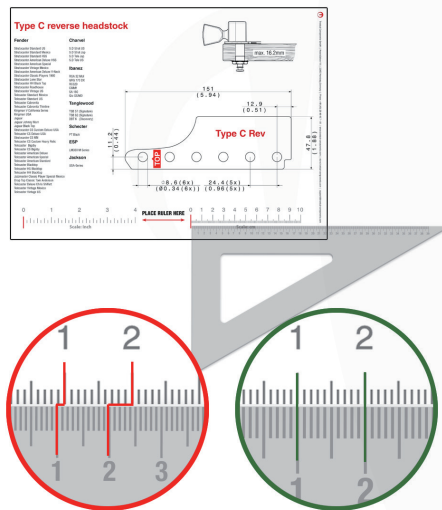


1. Printer Settings:

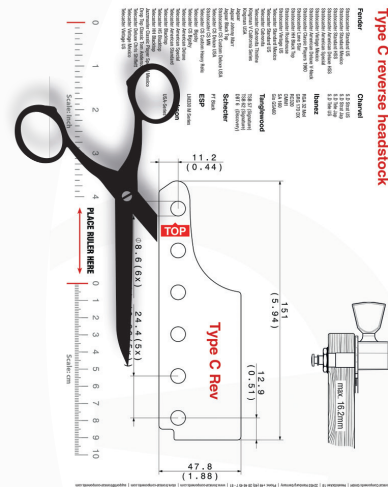
- Size Setting: 100%
- Page Adaption: None
- Page Scaling: None



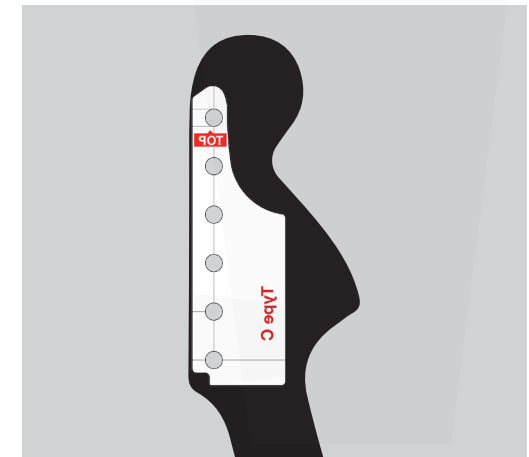
2. Place a ruler onto the printed templates to **check correct printout size**



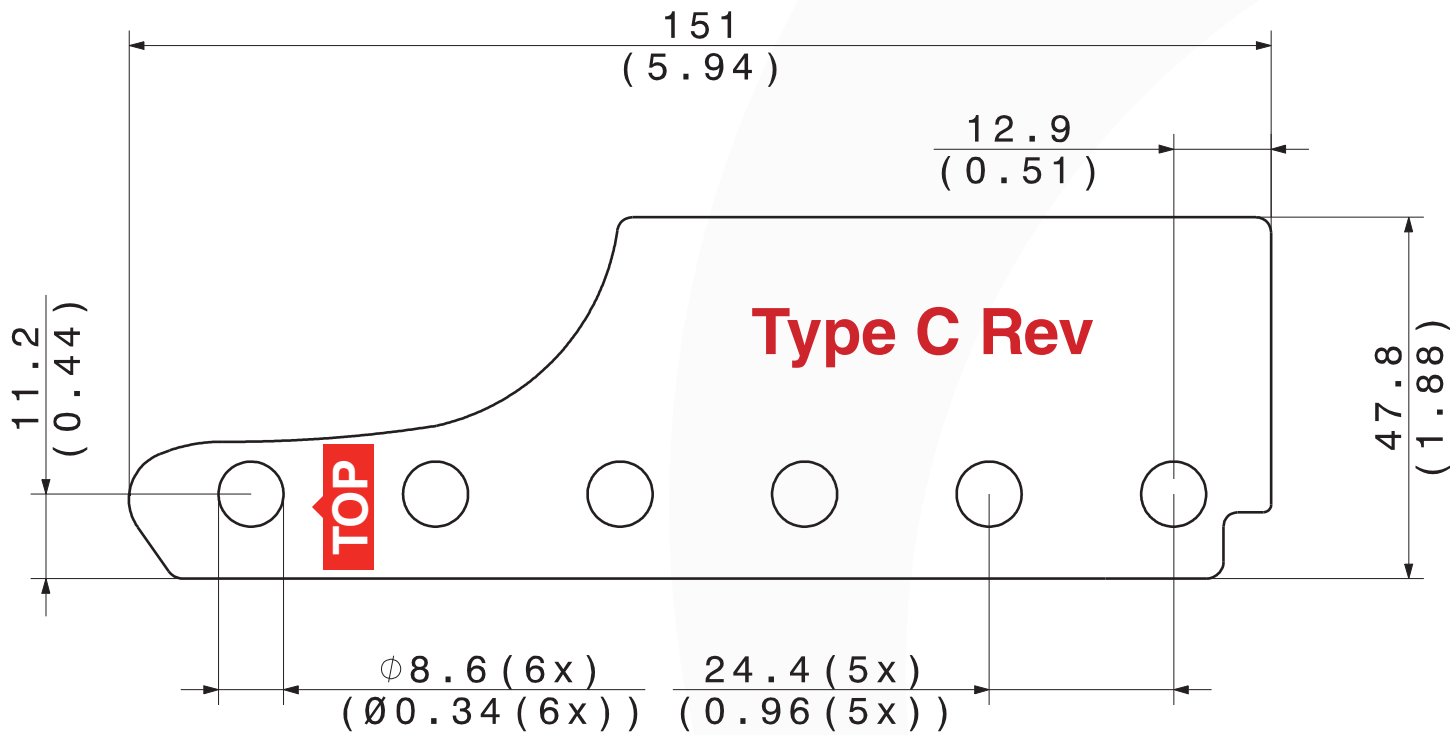
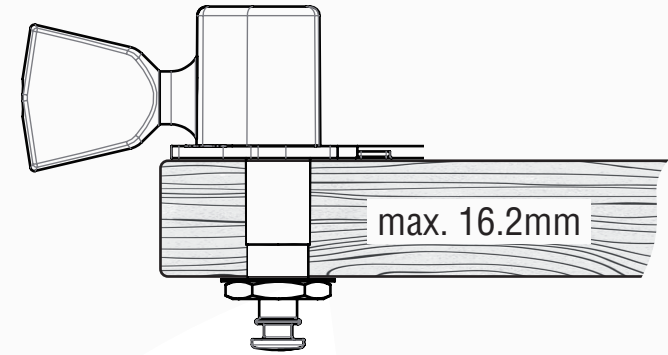
3. Cut-out the templates



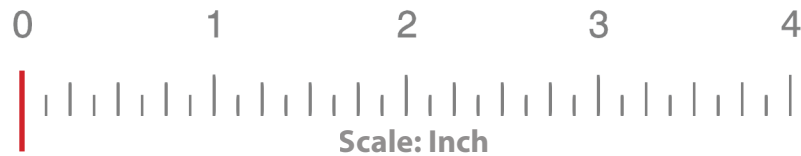
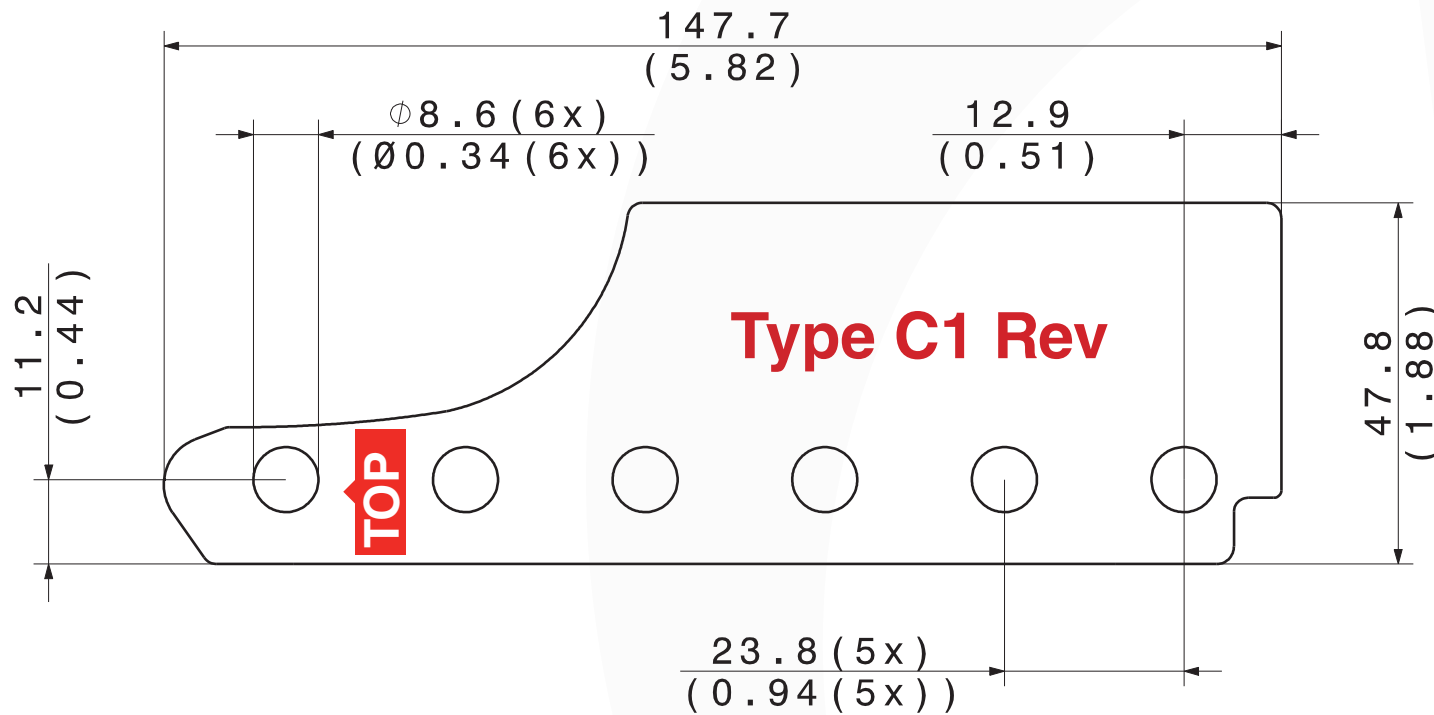
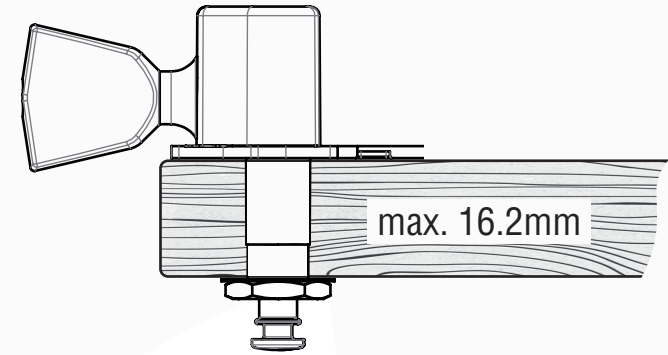
4. Place the templates **on the back** of your guitar headstock. Check if the holes of the template are congruent to the holes of your guitar. When they are congruent you identified the template that fits your guitar. Enter this type during the order process.



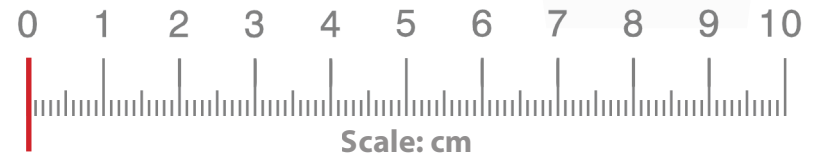
Type C reverse headstock



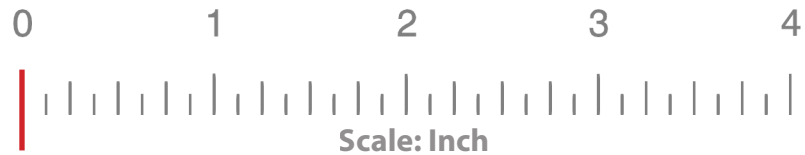
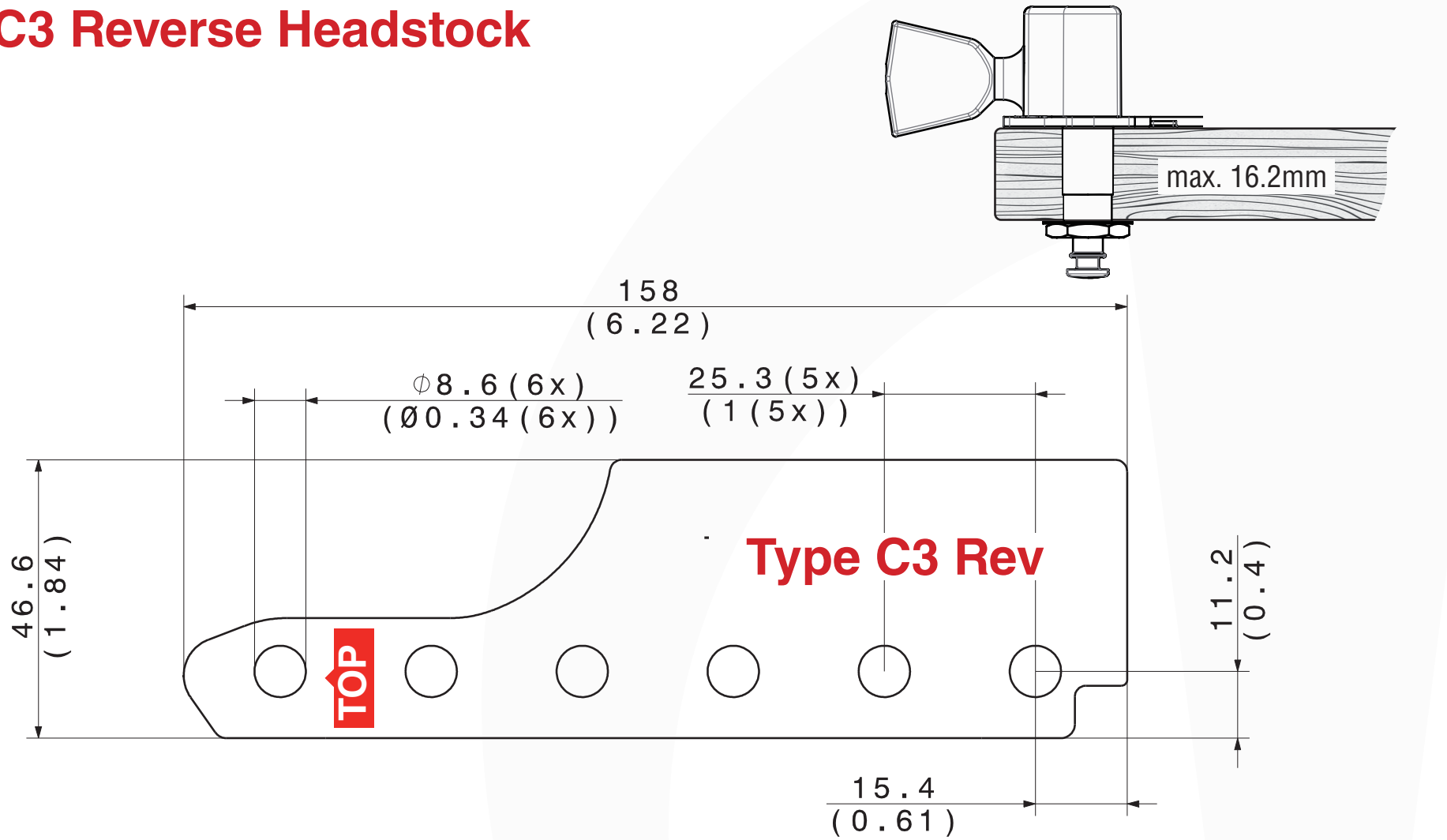
Type C1 Reverse headstock



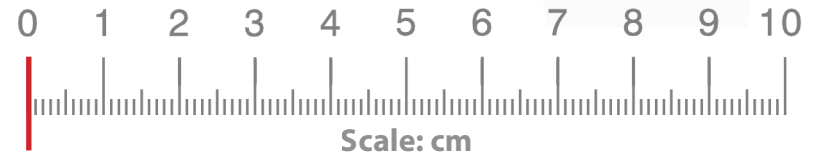
PLACE RULER HERE



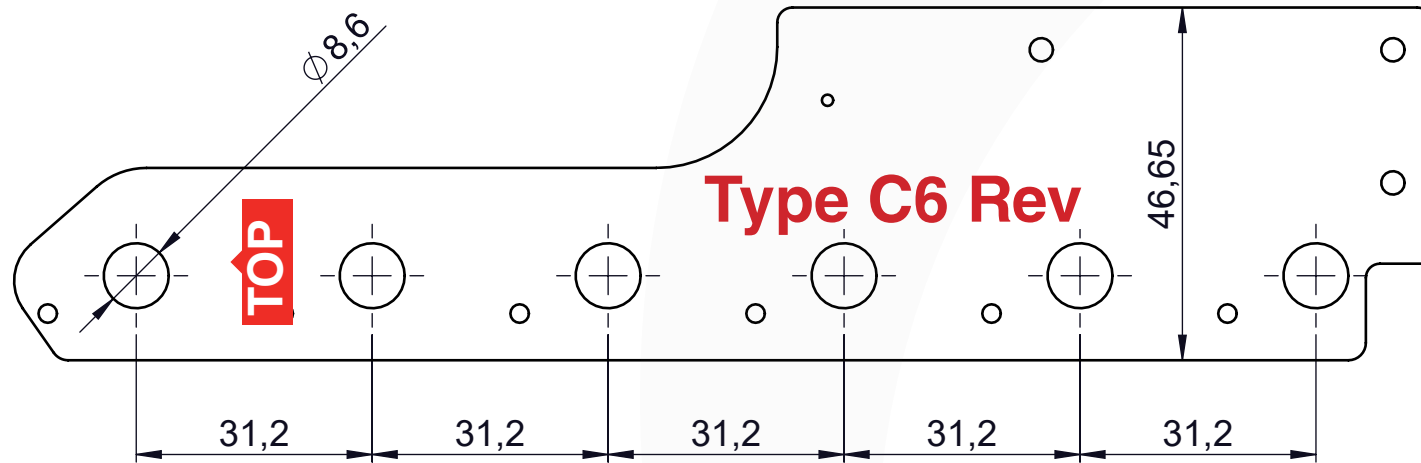
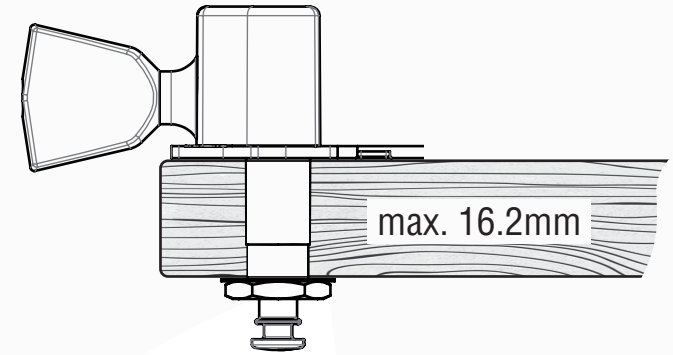
Type C3 Reverse Headstock



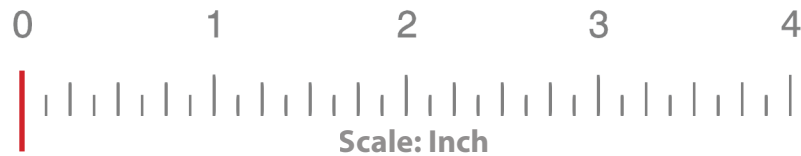
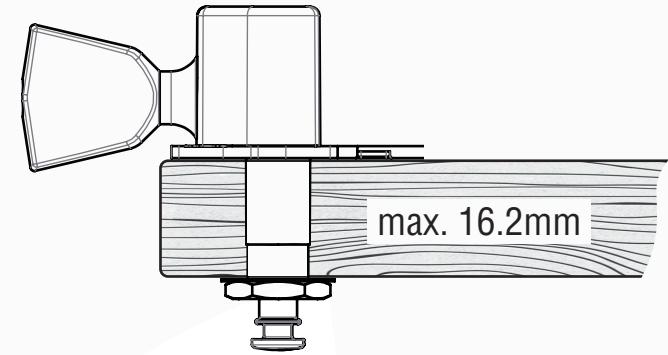
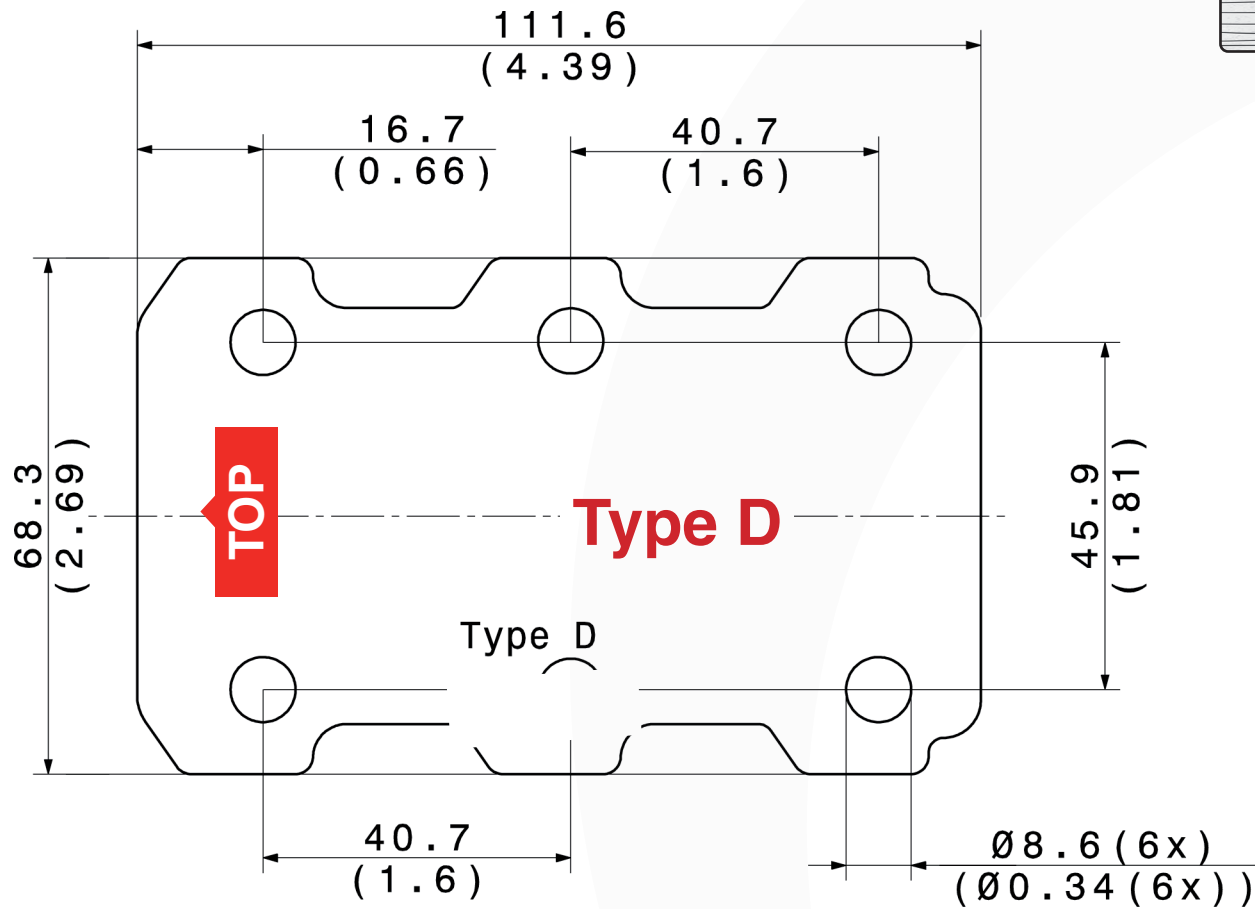
PLACE RULER HERE



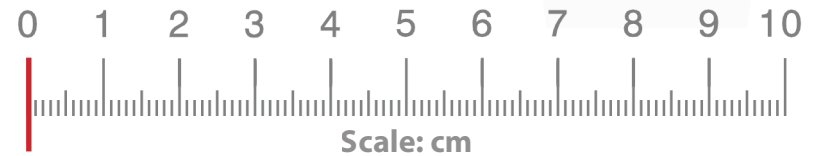
Type C6 Reverse Headstock



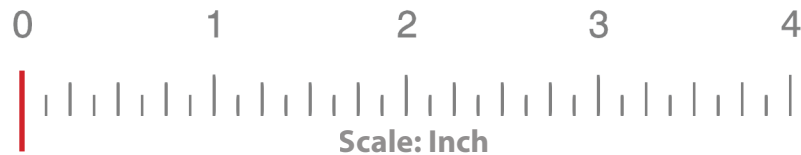
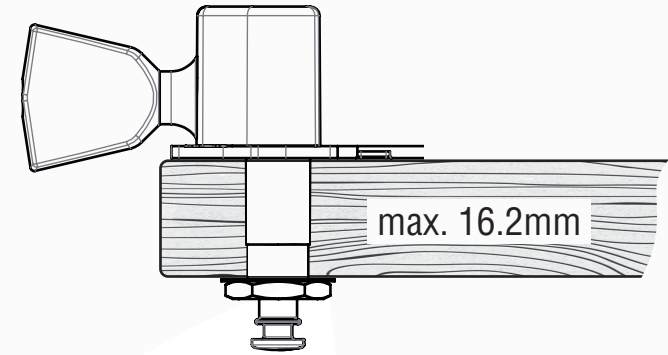
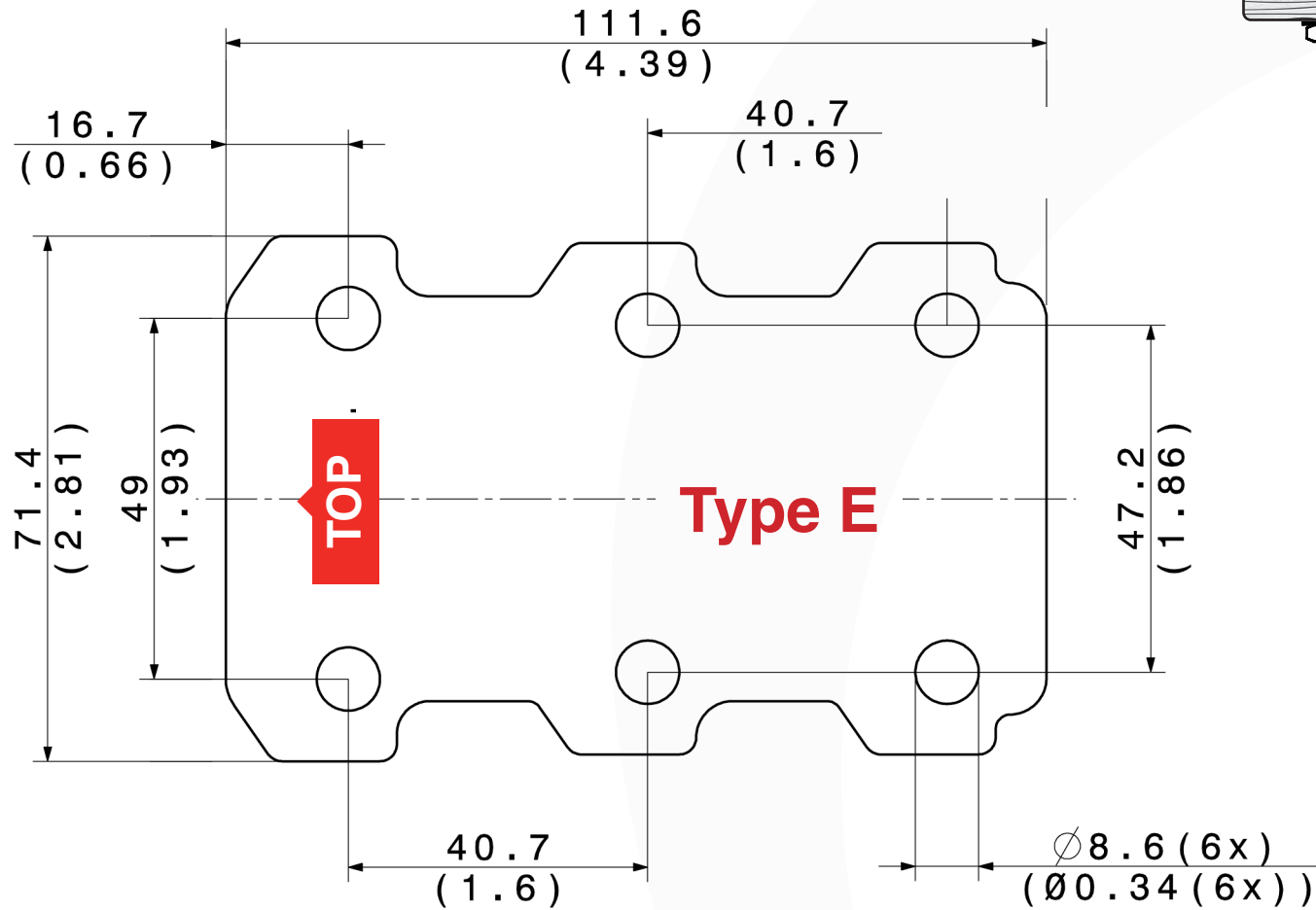
Type D



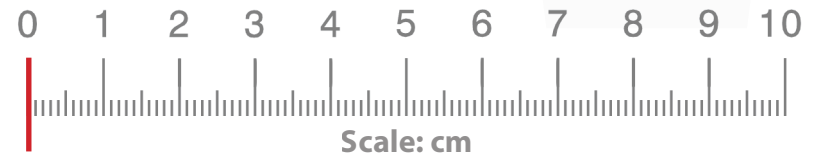
PLACE RULER HERE



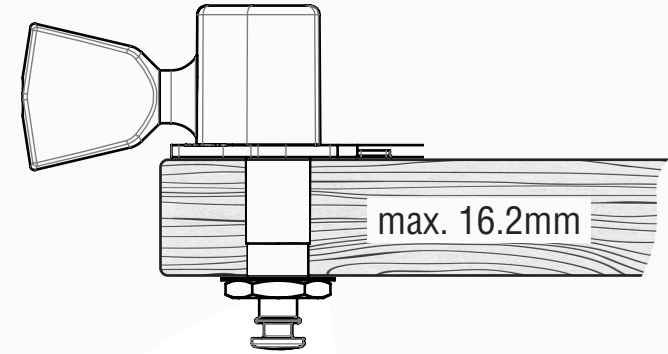
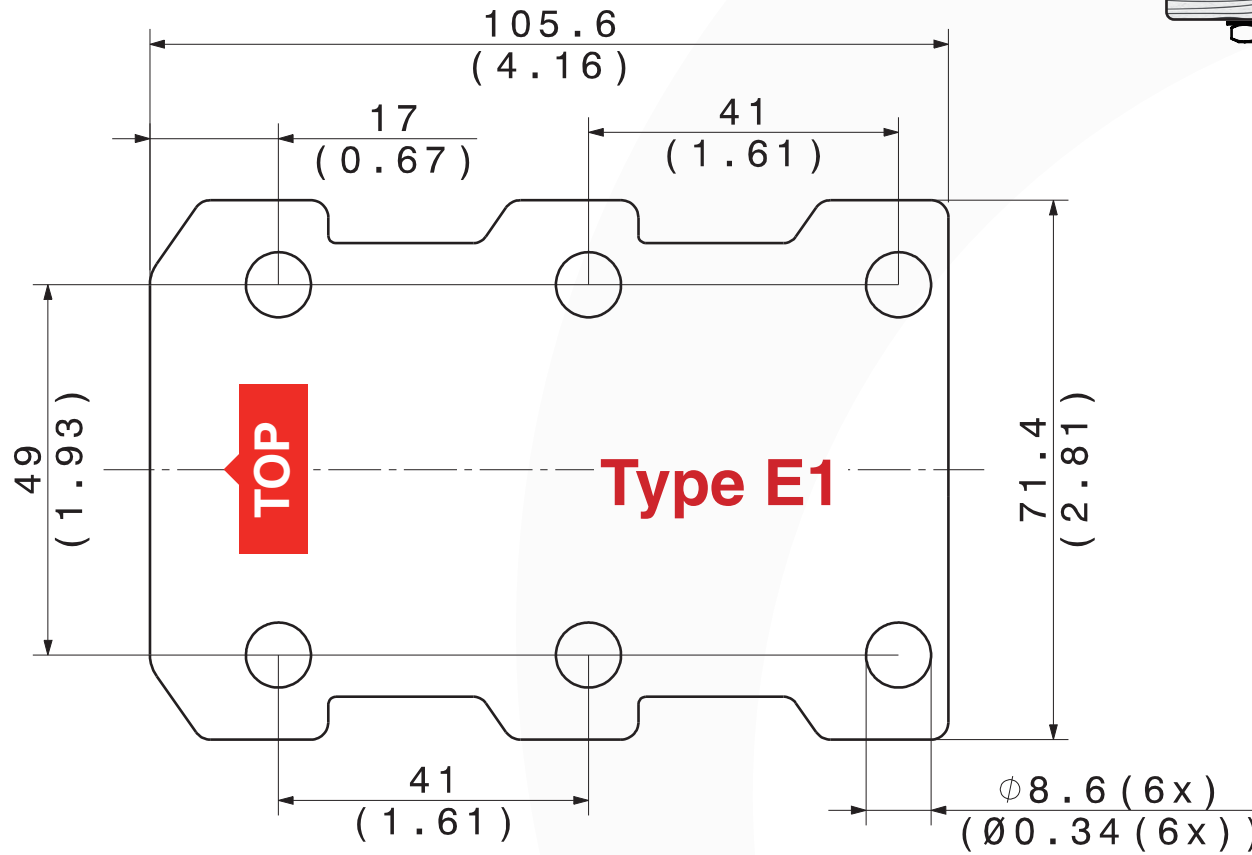
Type E



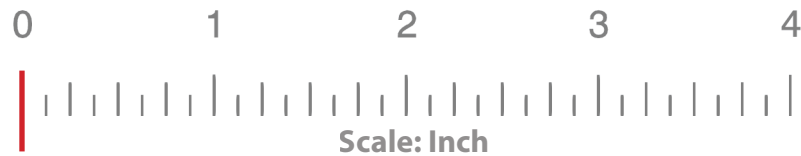
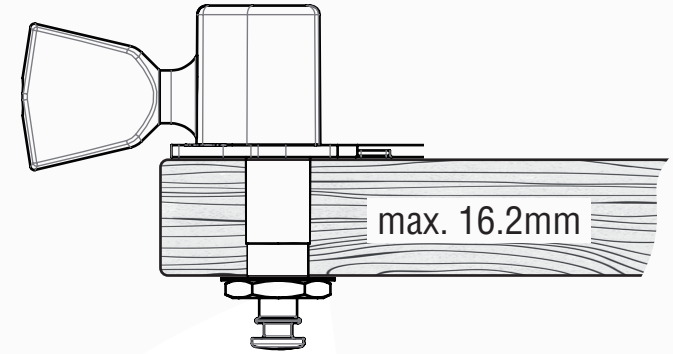
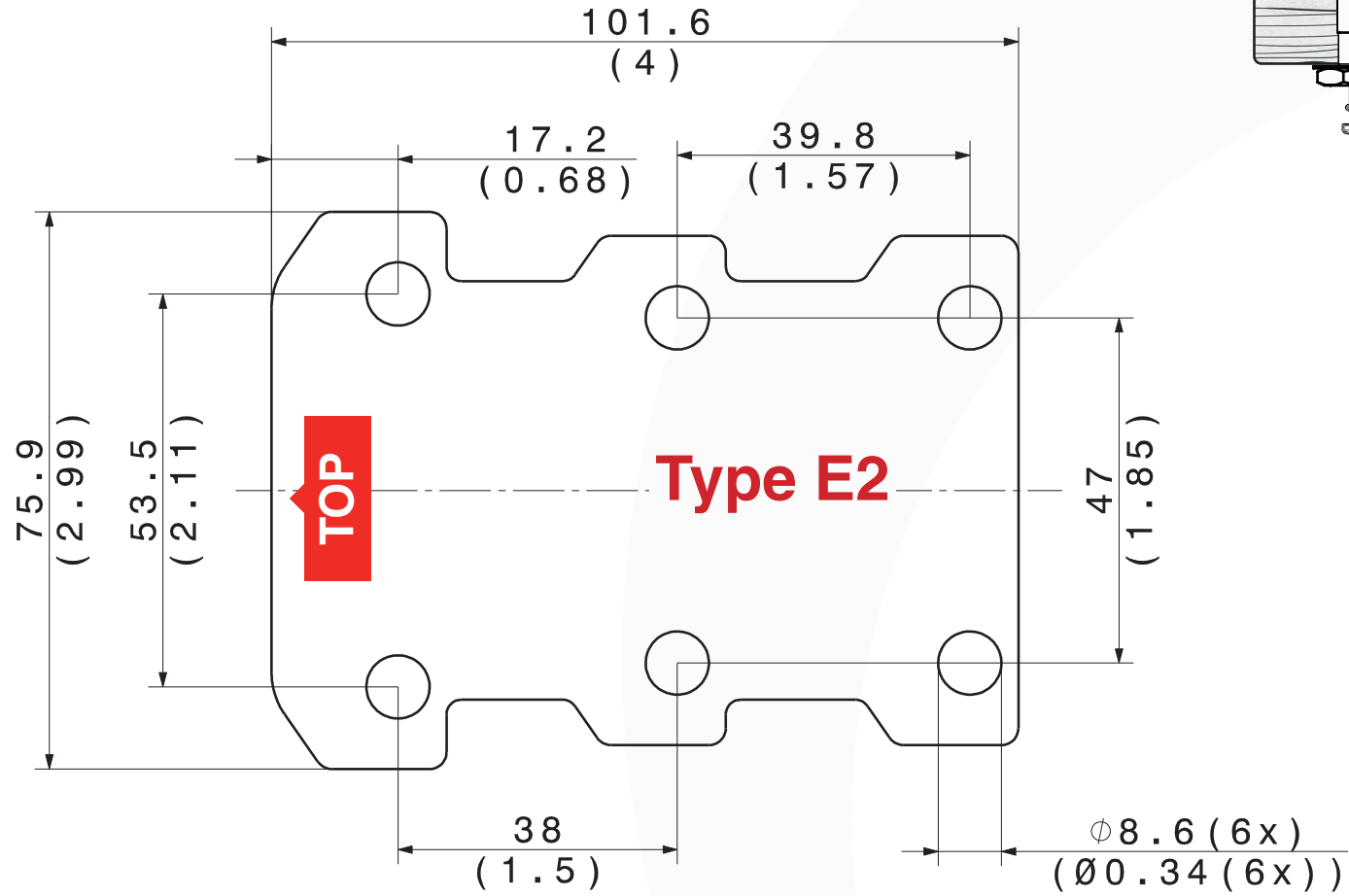
PLACE RULER HERE



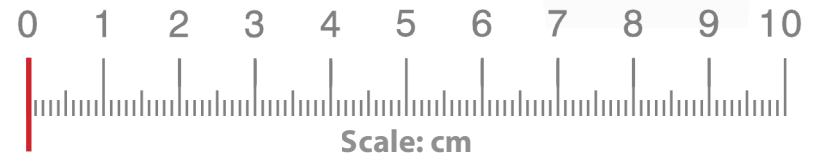
Type E1



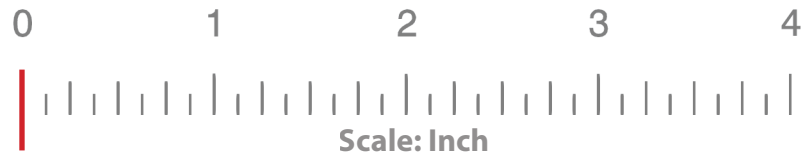
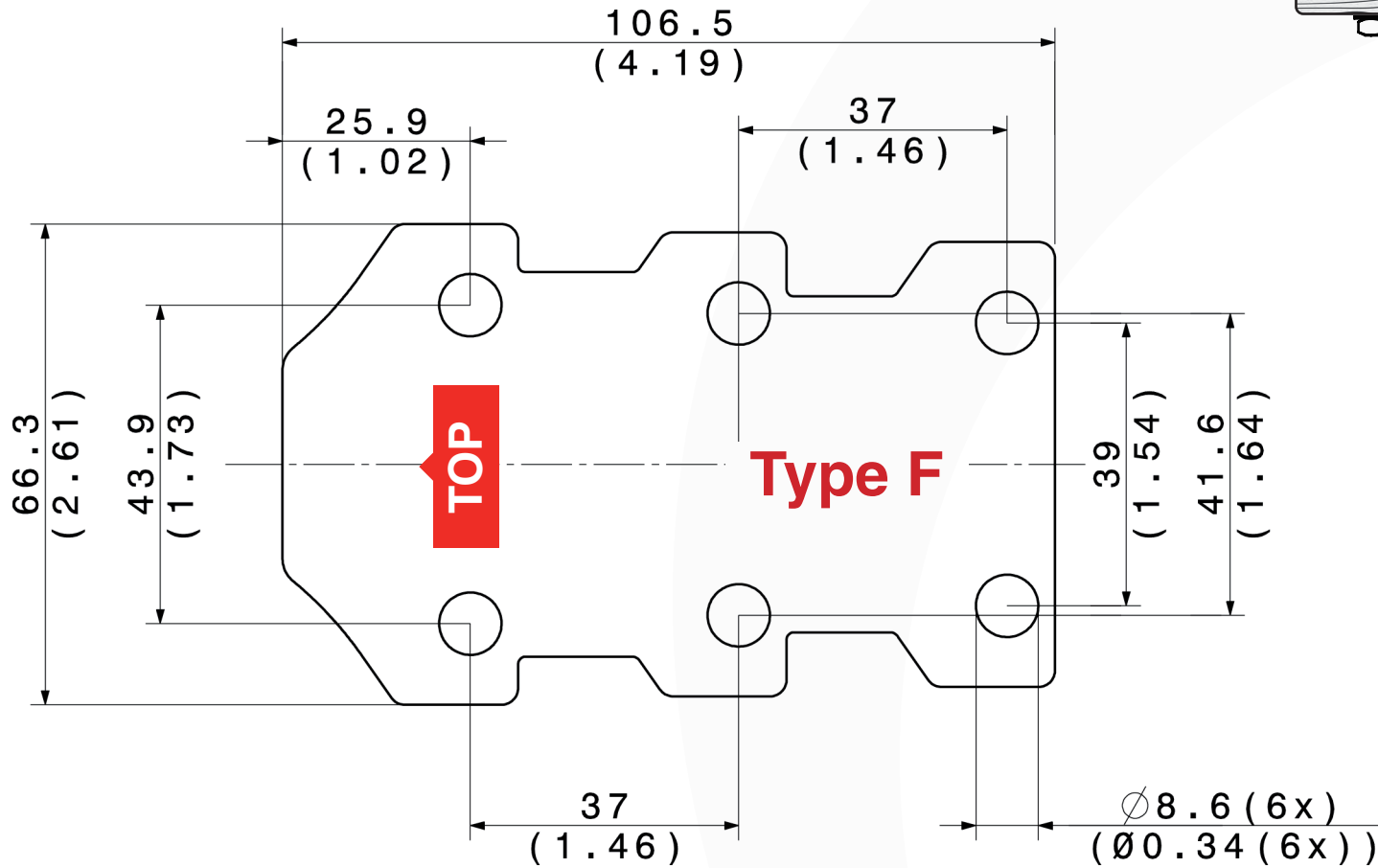
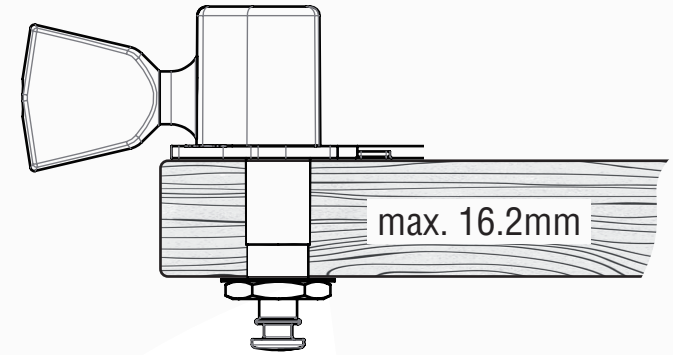
Type E2



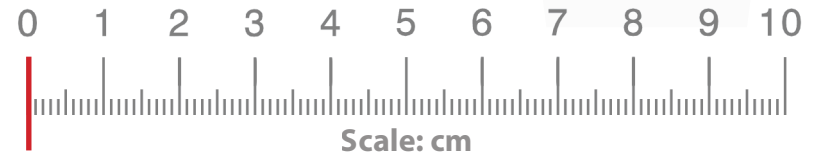
PLACE RULER HERE



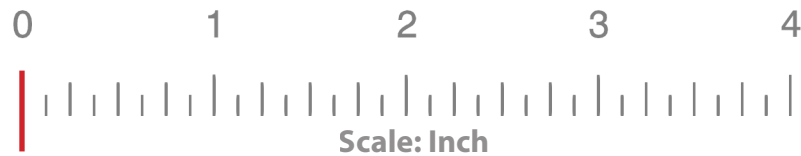
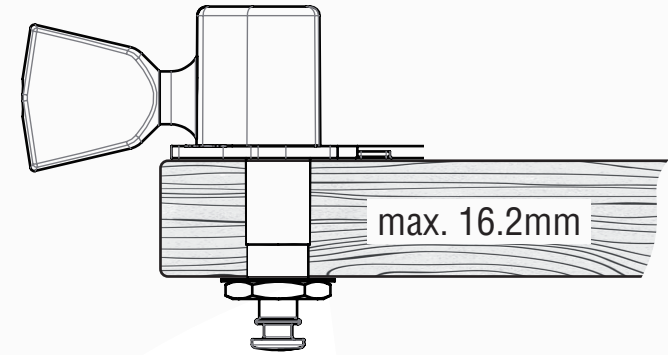
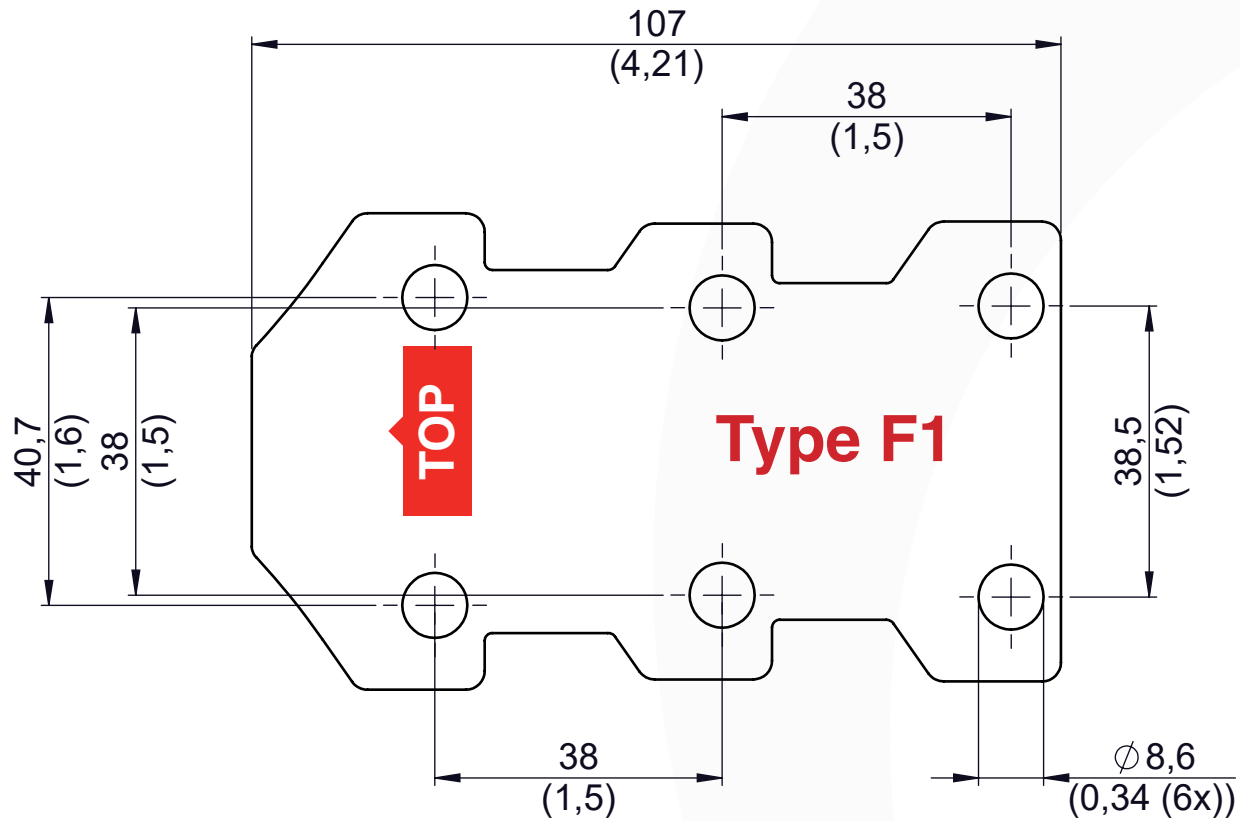
Type F



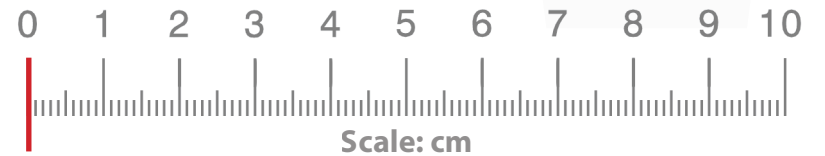
PLACE RULER HERE



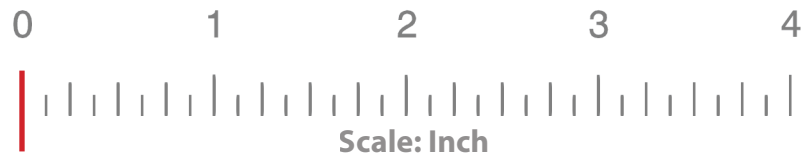
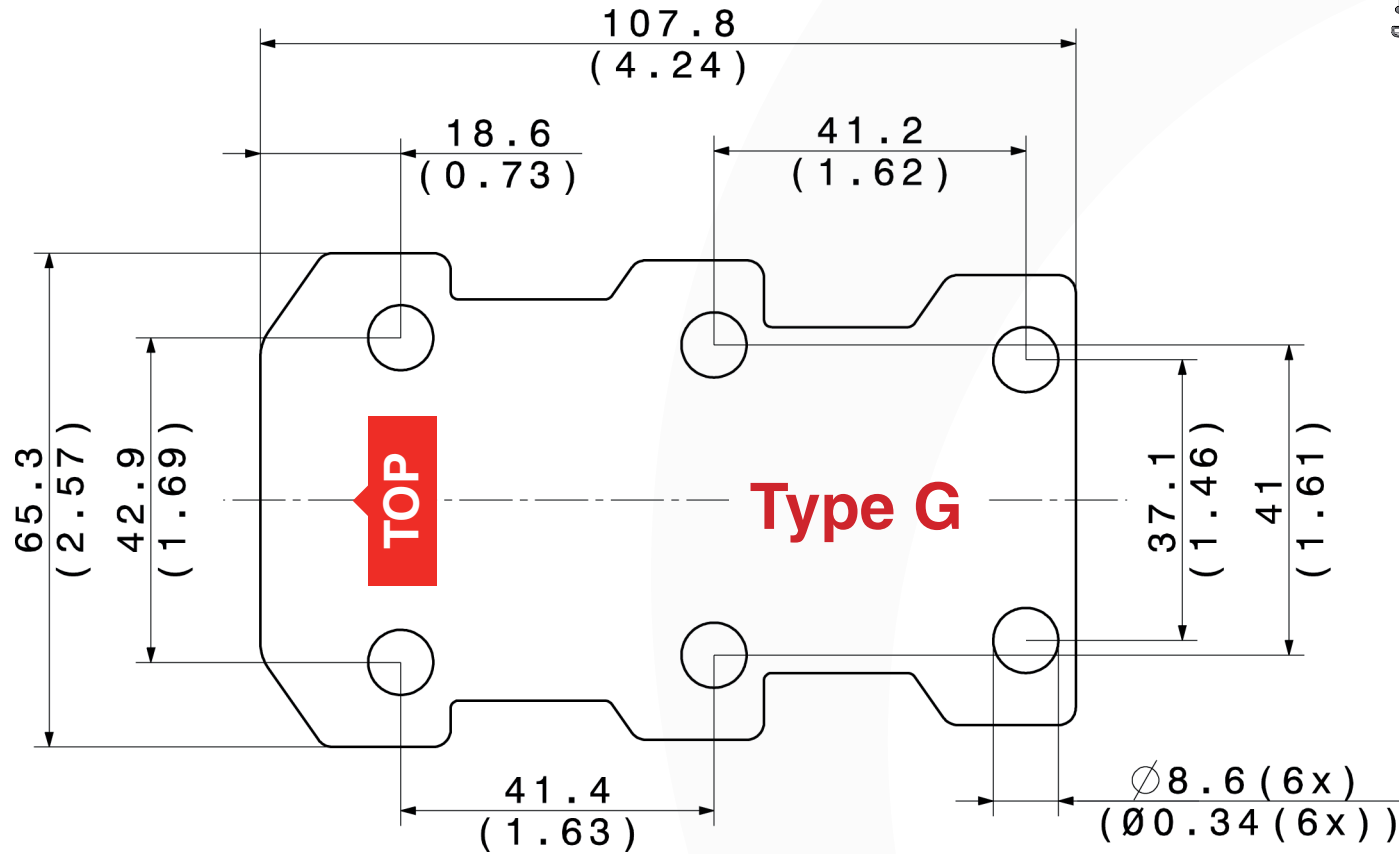
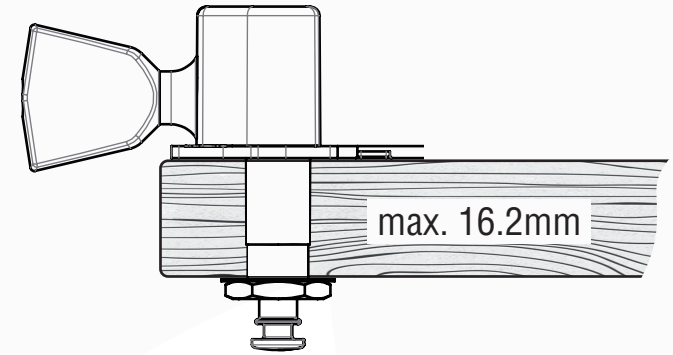
Type F1



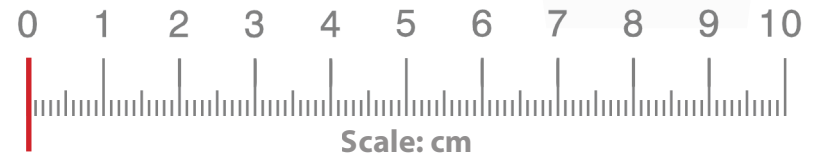
PLACE RULER HERE



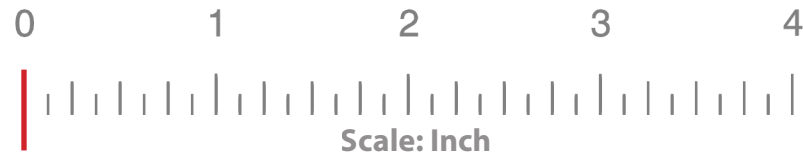
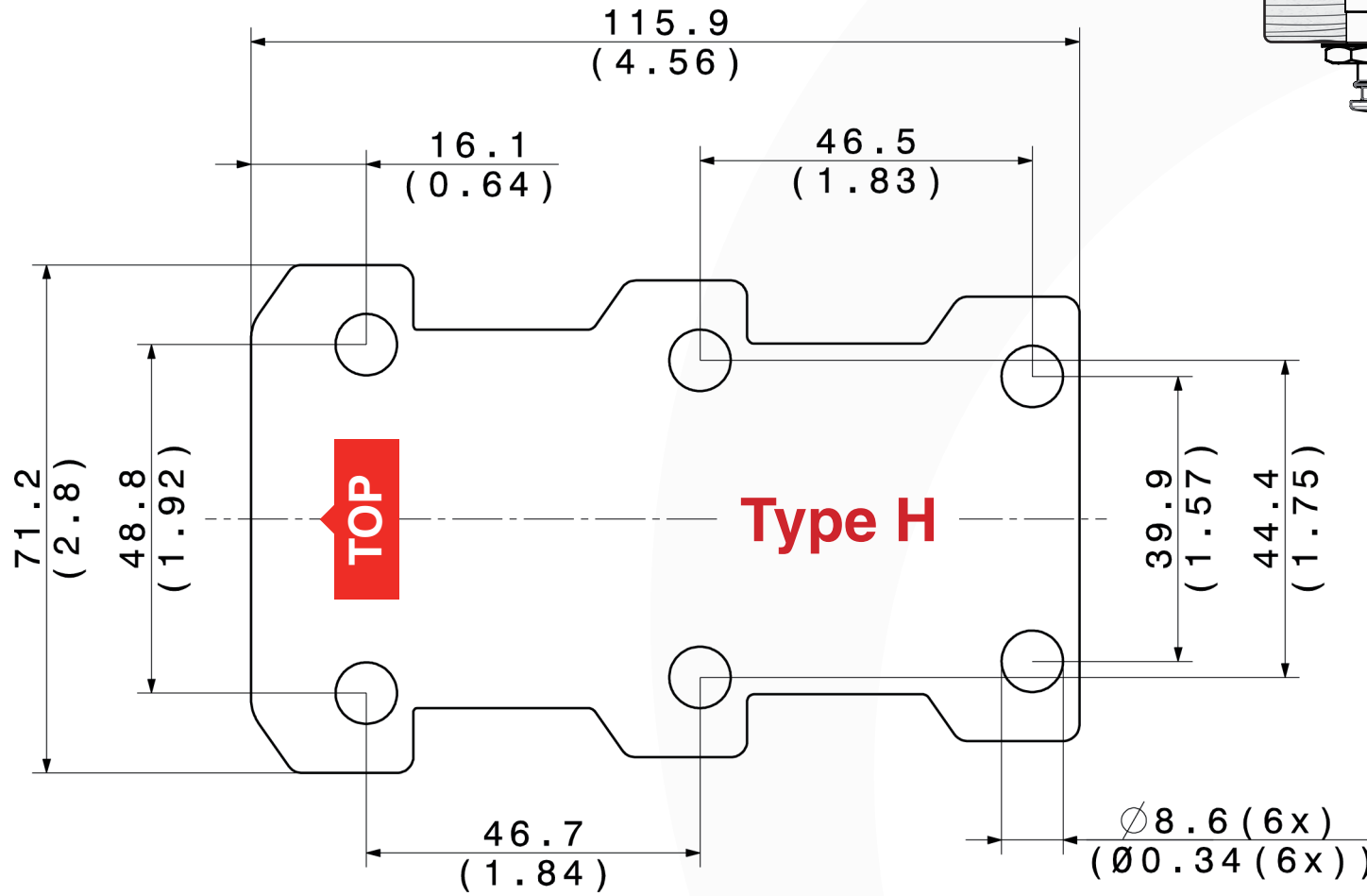
Type G



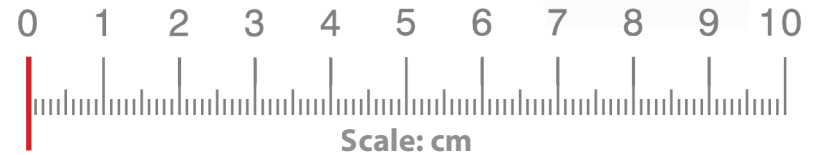
PLACE RULER HERE



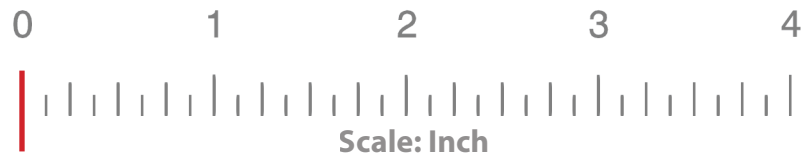
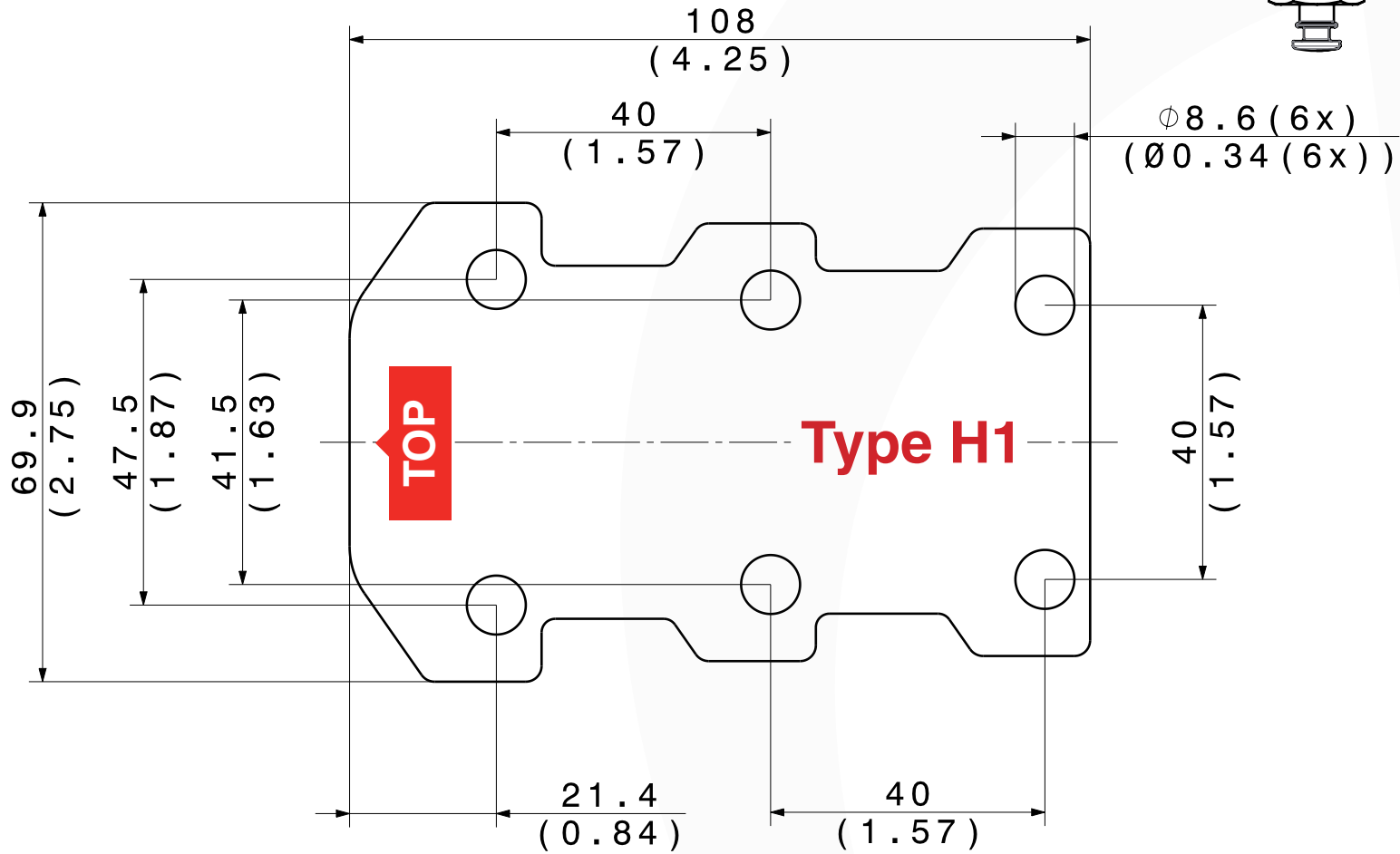
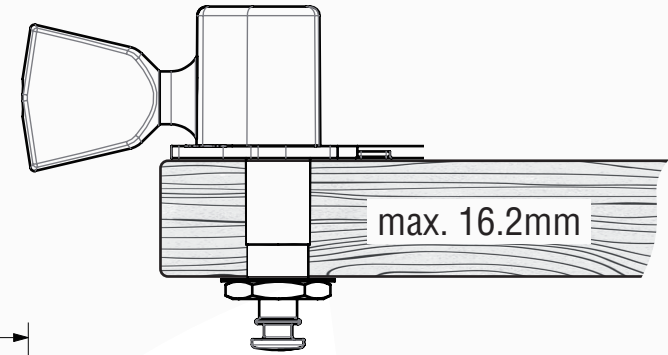
Type H



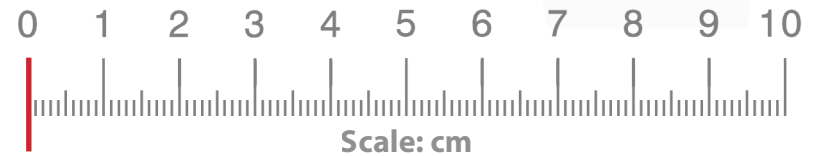
PLACE RULER HERE



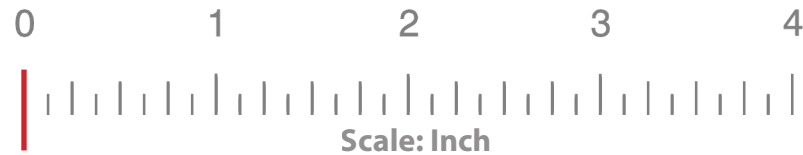
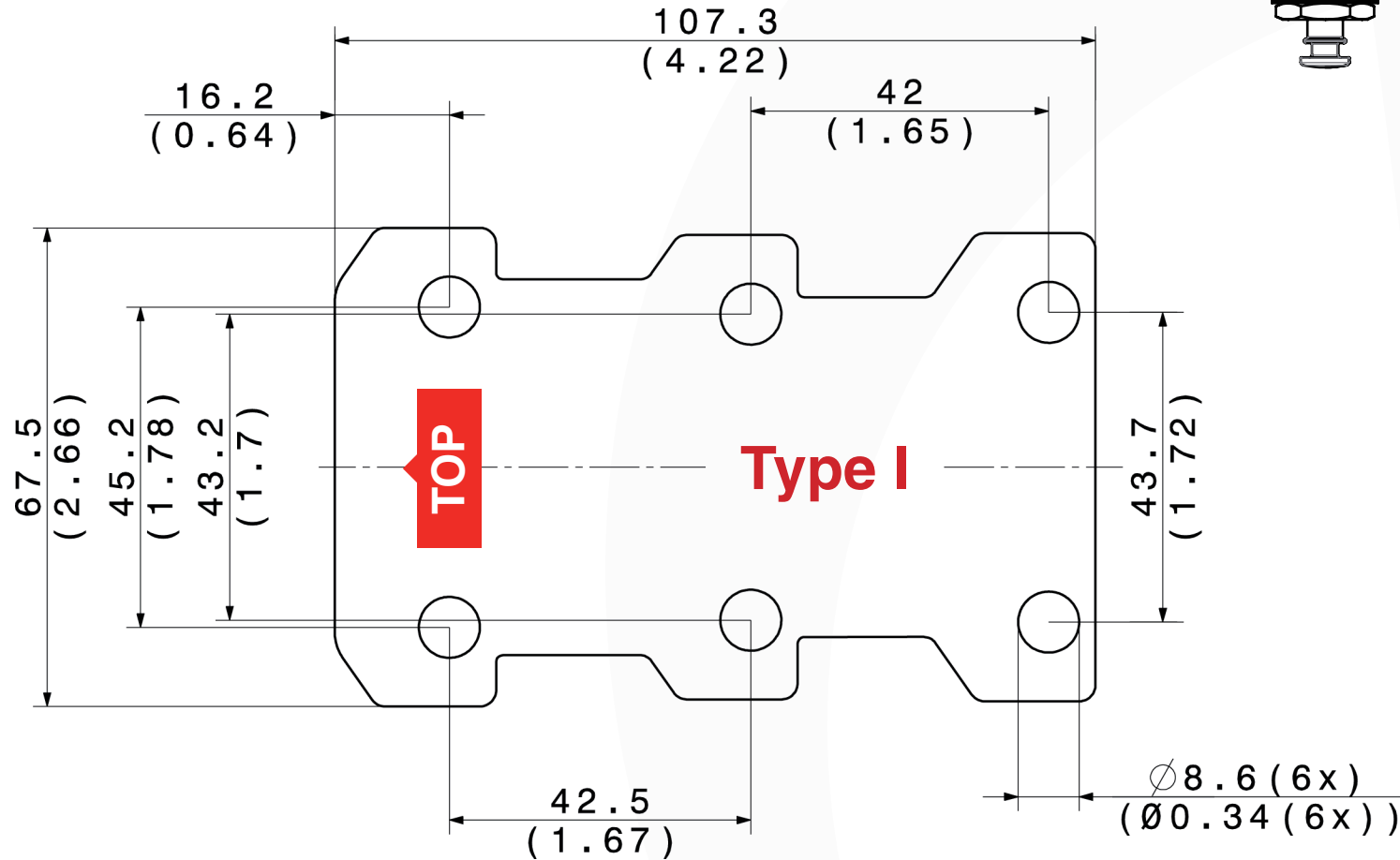
Type H1



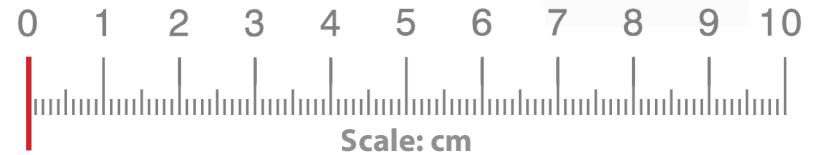
PLACE RULER HERE



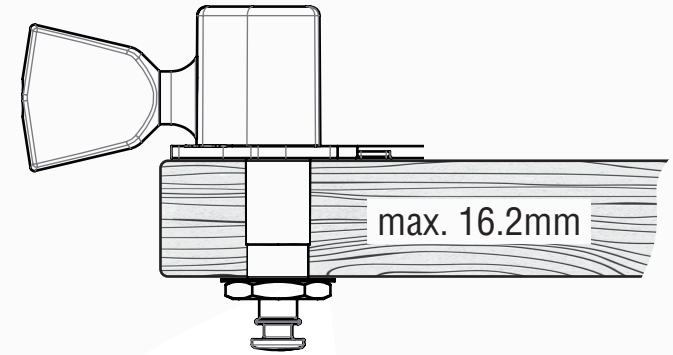
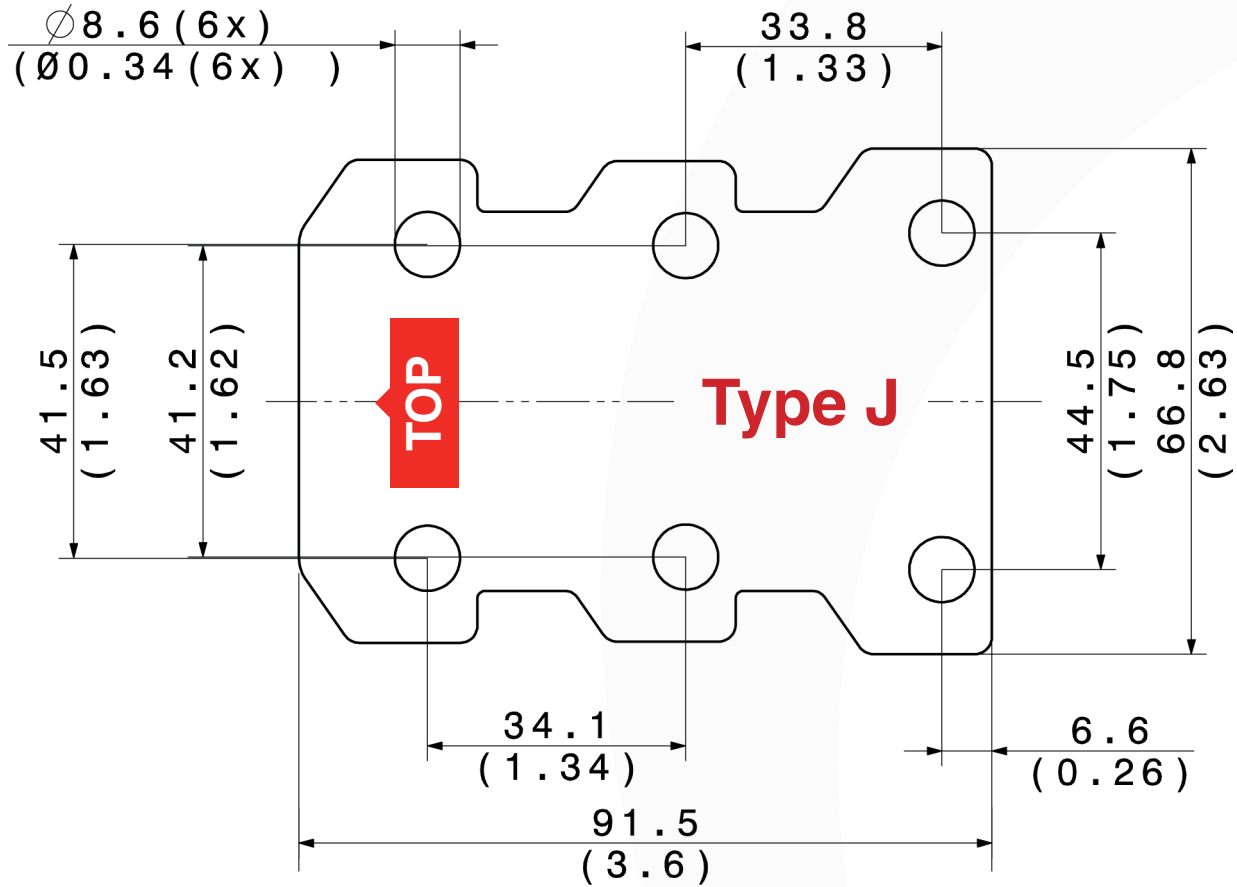
Type I



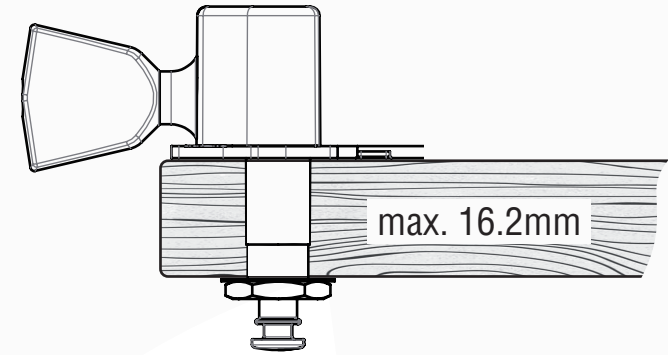
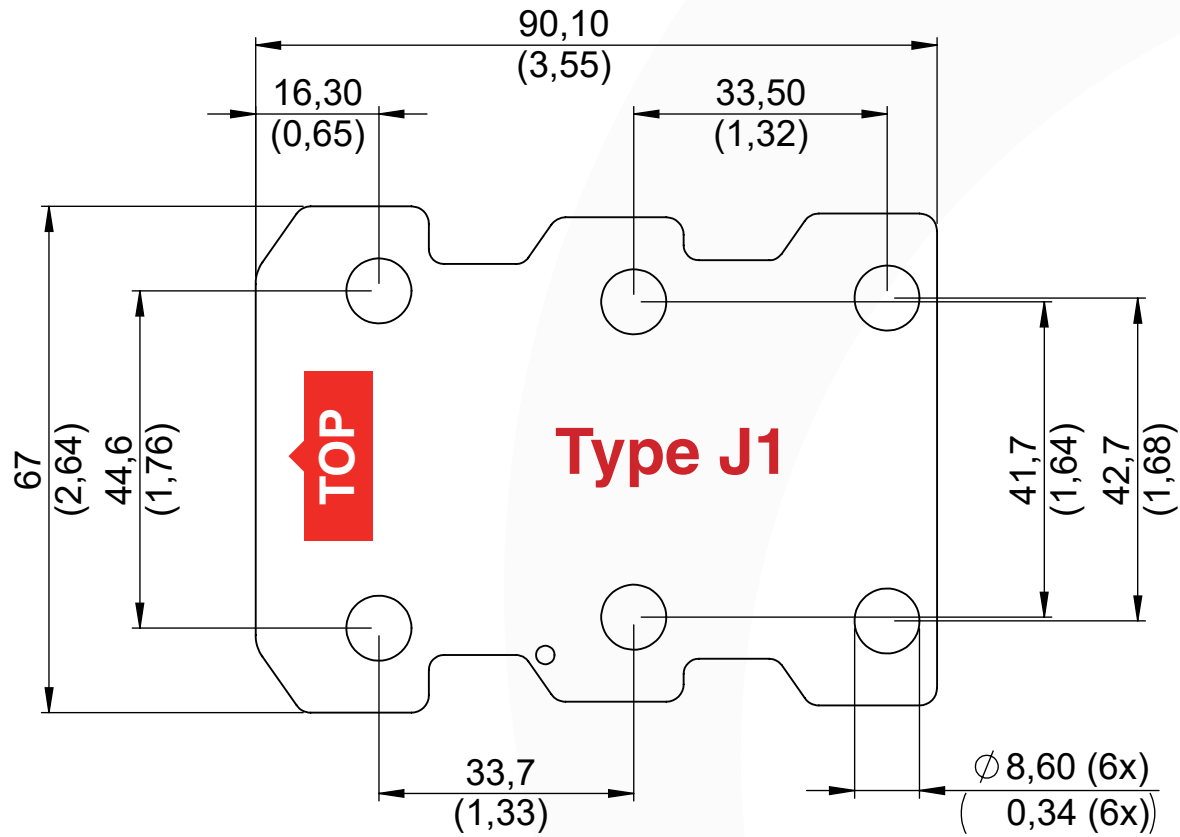
PLACE RULER HERE



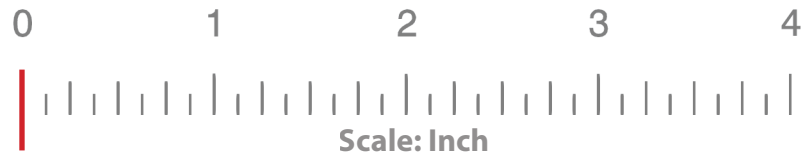
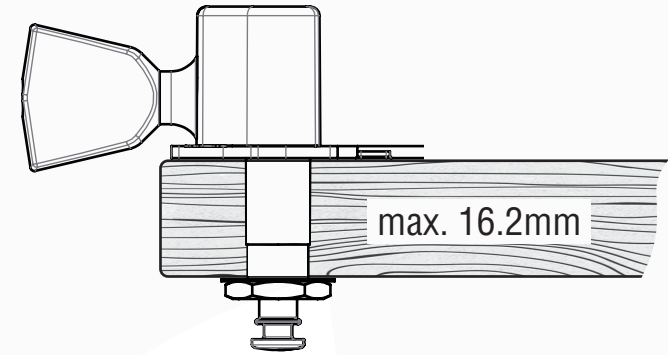
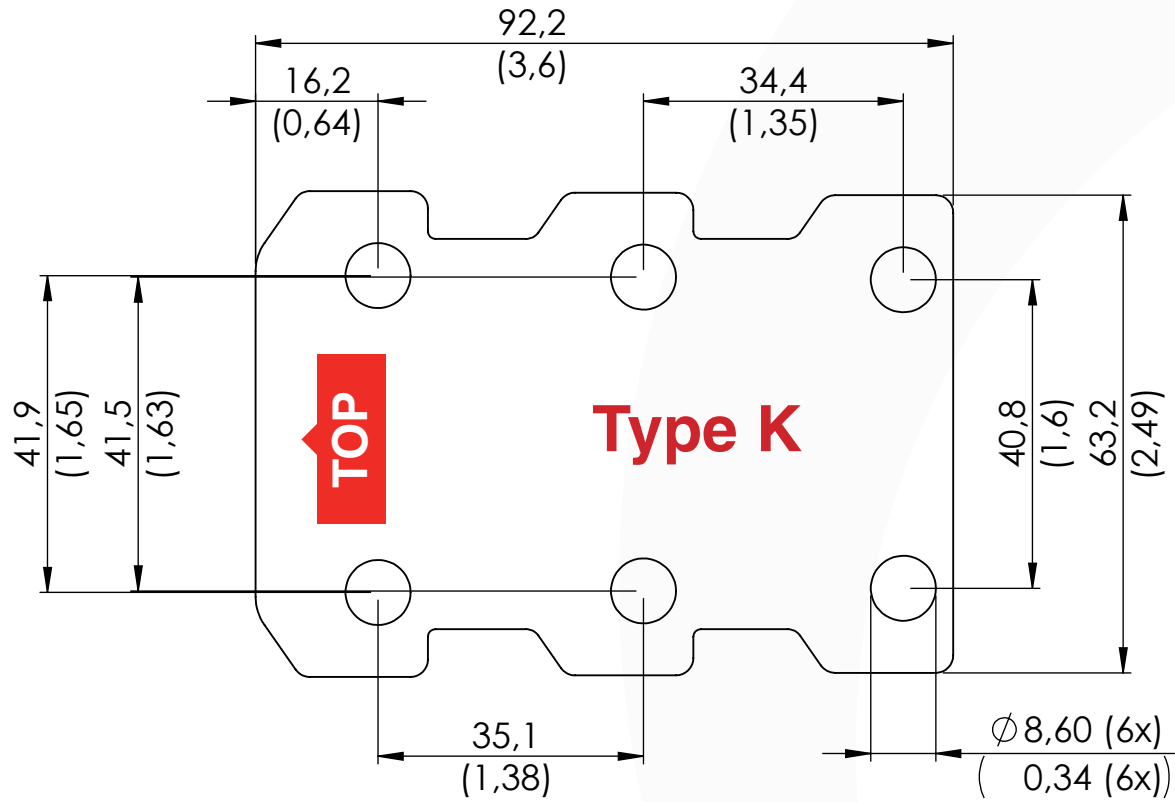
Type J



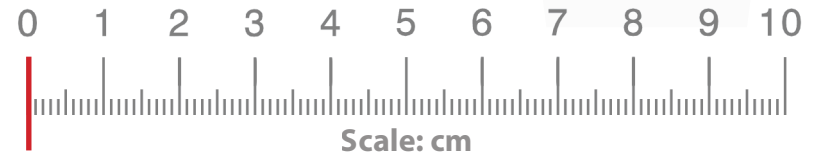
Type J1



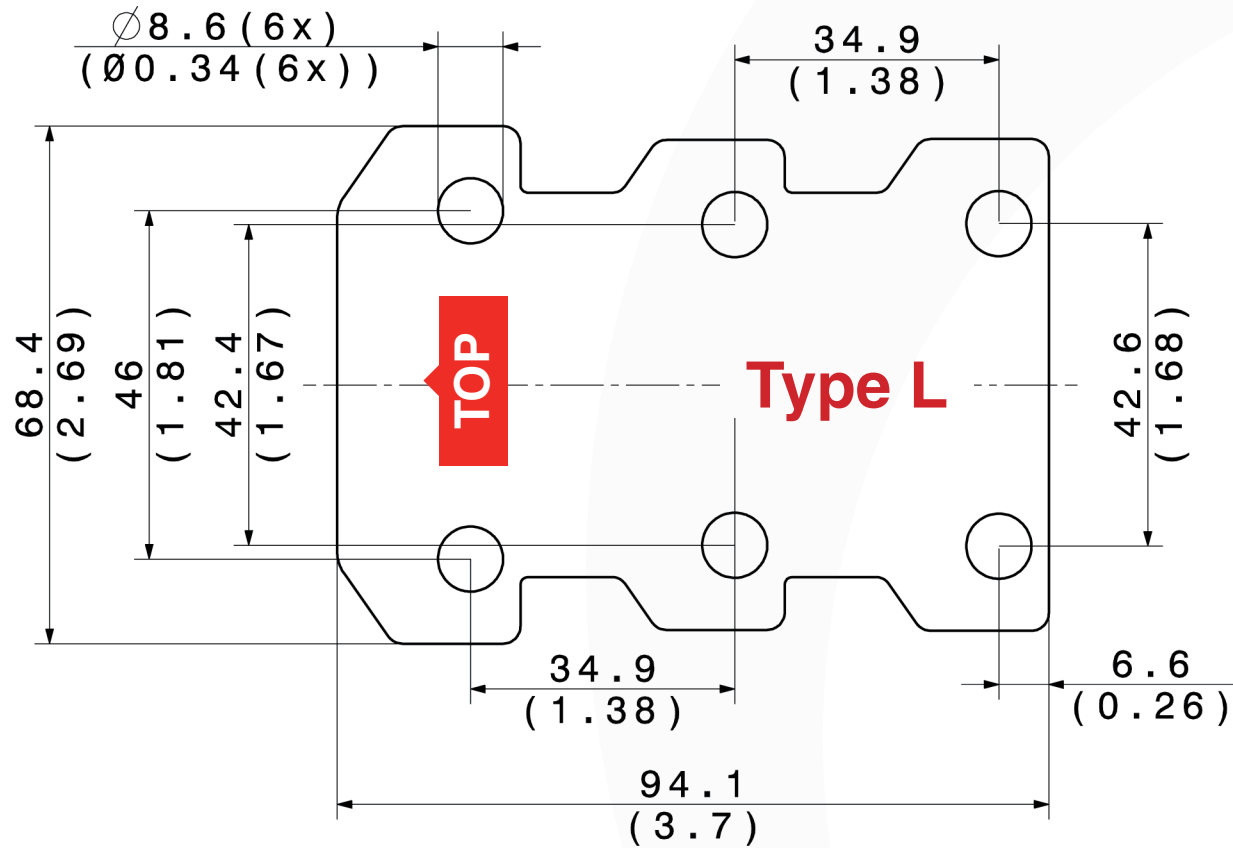
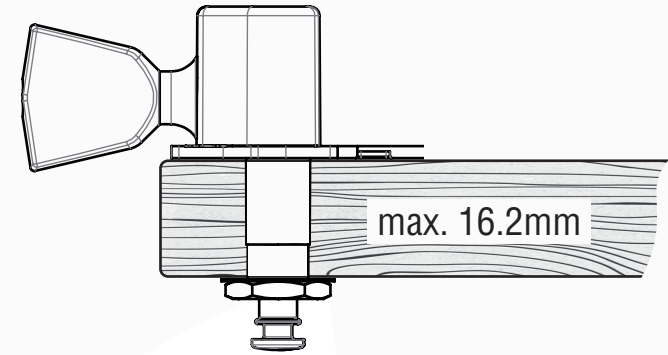
Type K



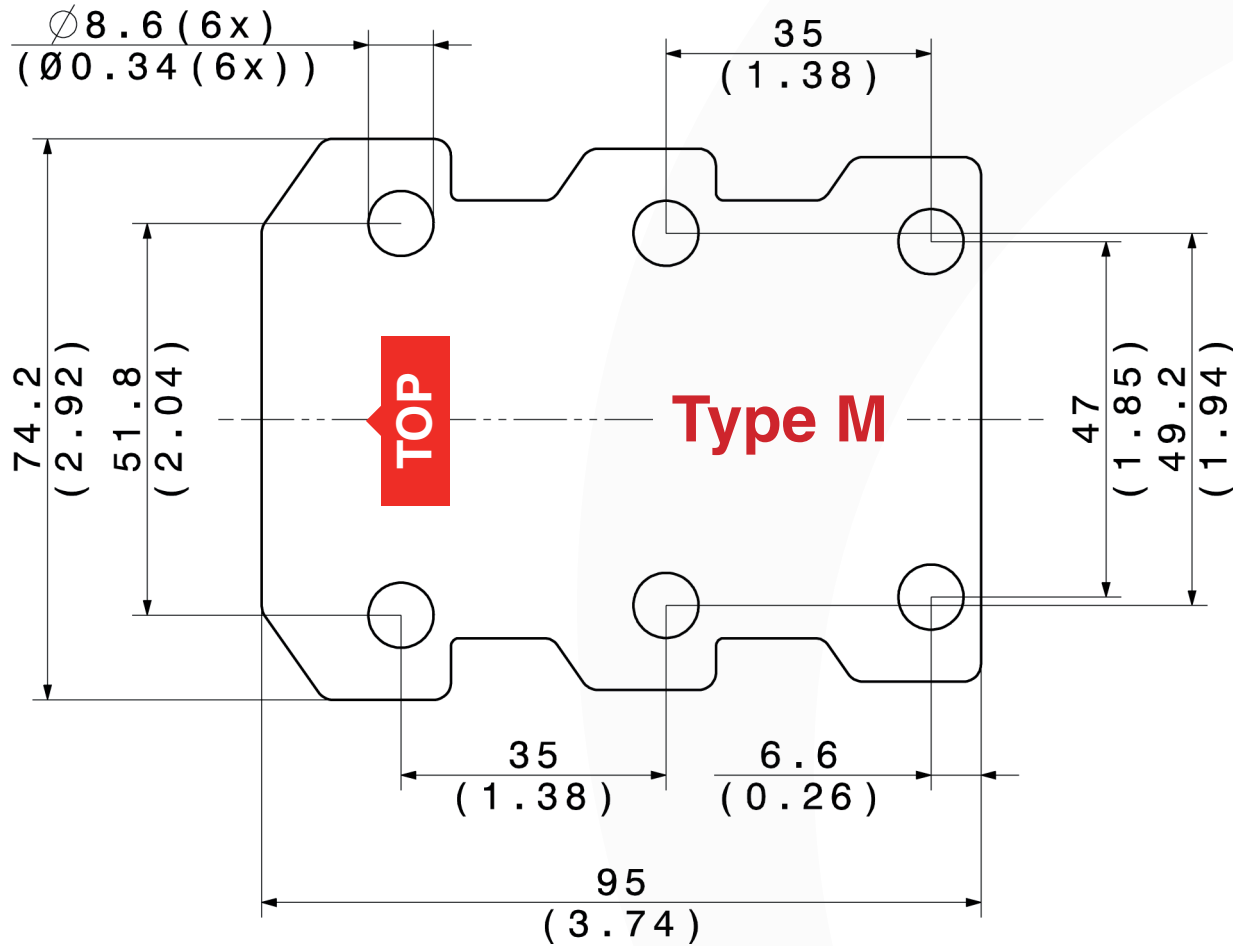
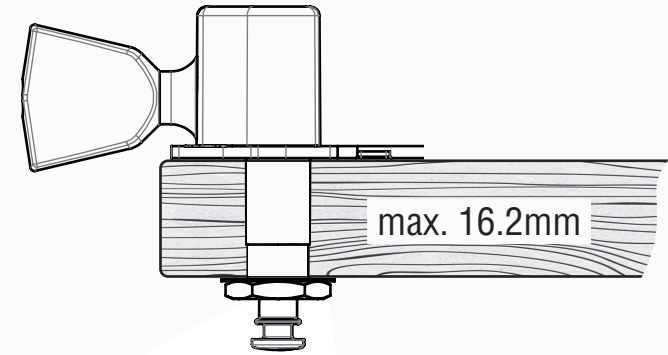
PLACE RULER HERE



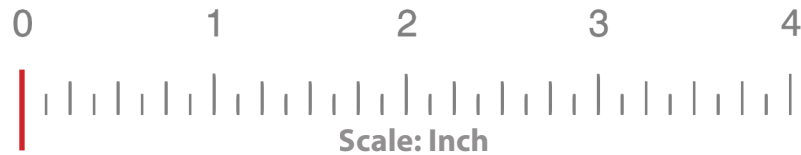
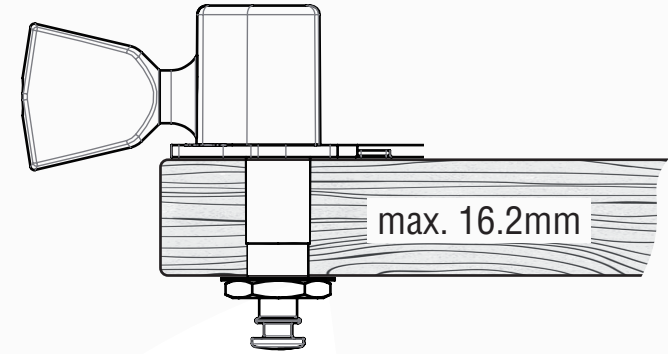
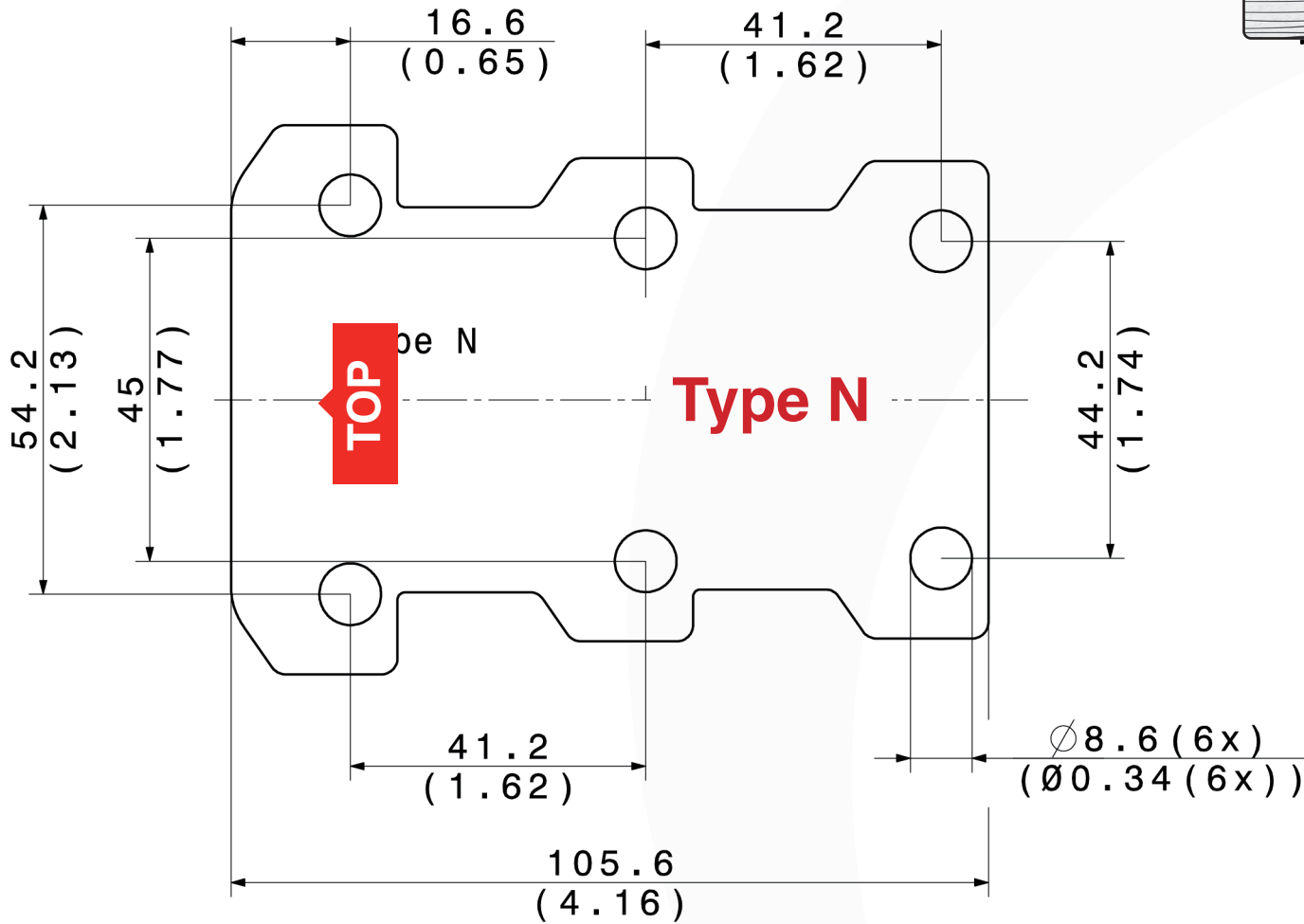
Type L



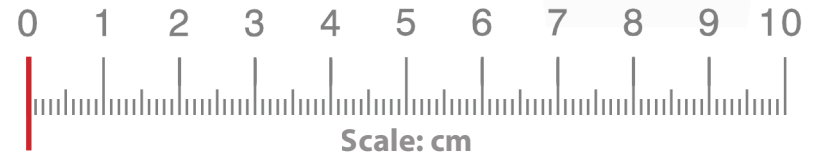
Type M



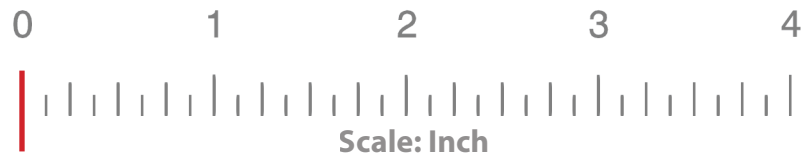
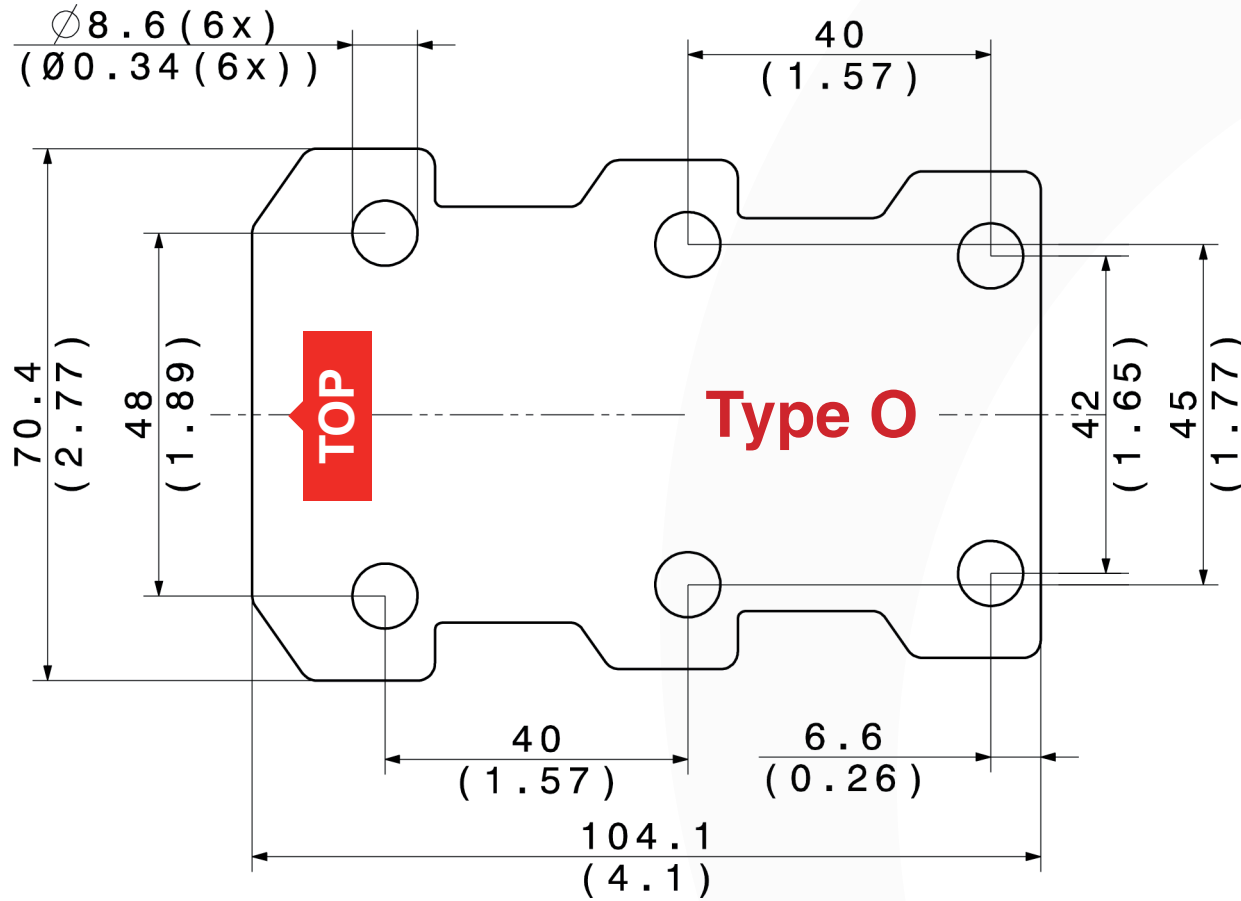
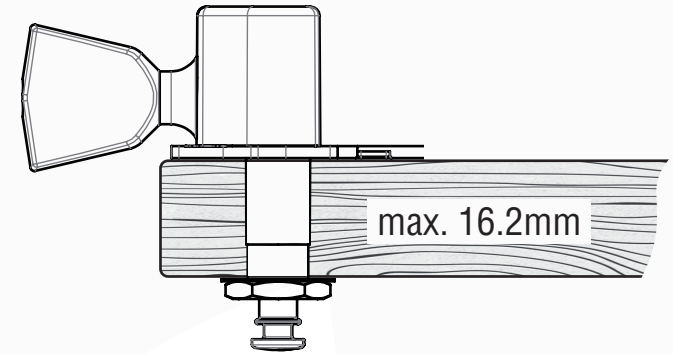
Type N



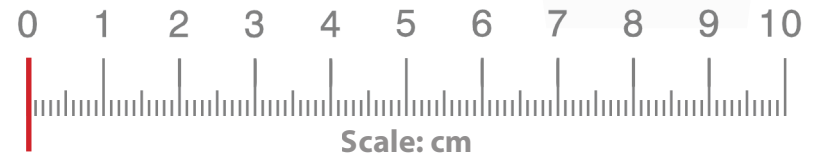
PLACE RULER HERE



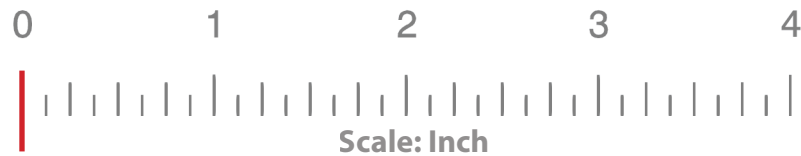
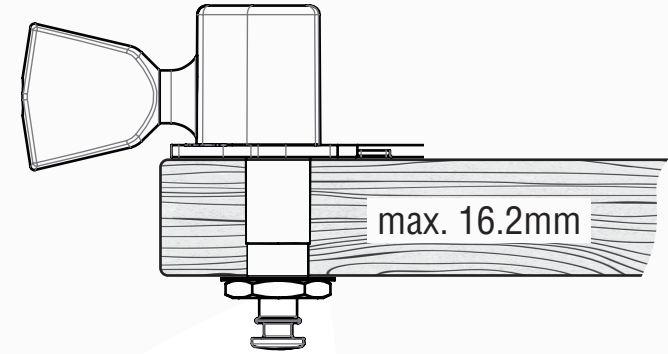
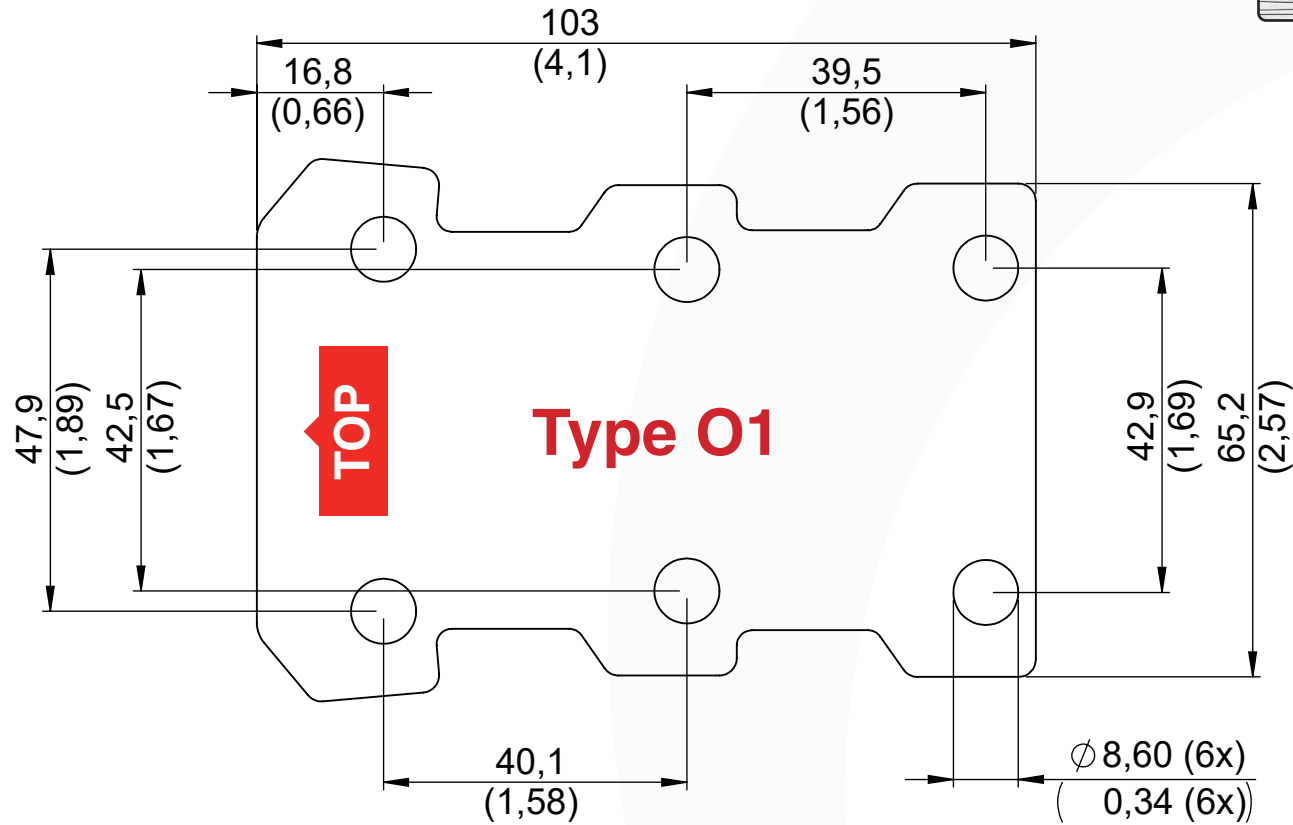
Type O



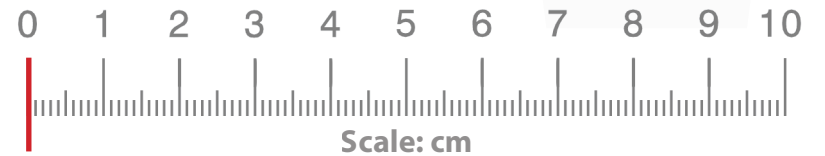
PLACE RULER HERE



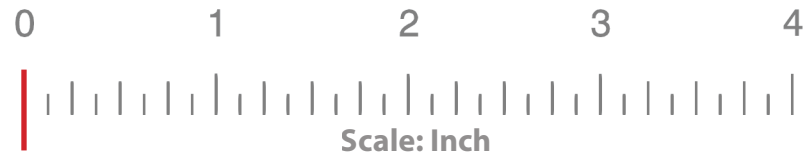
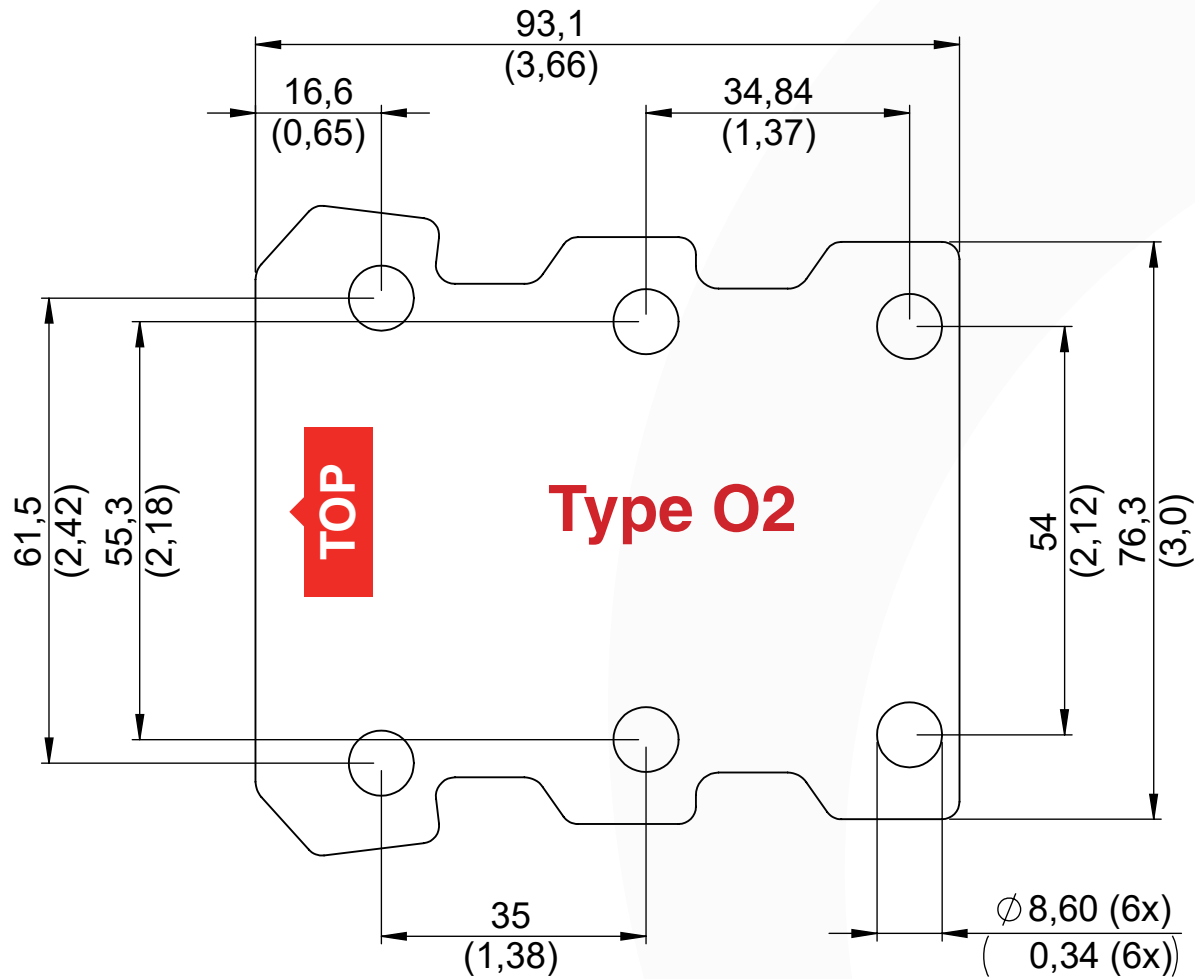
Type O1



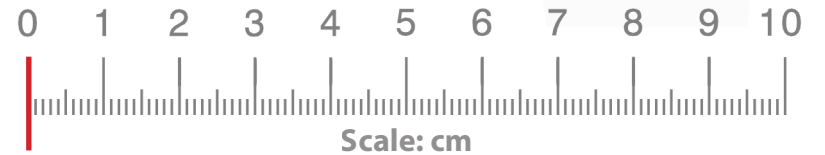
PLACE RULER HERE



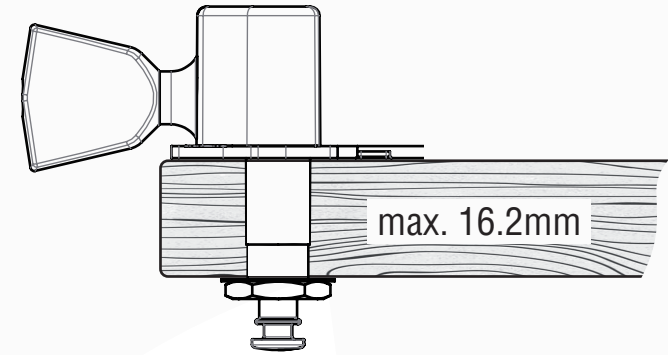
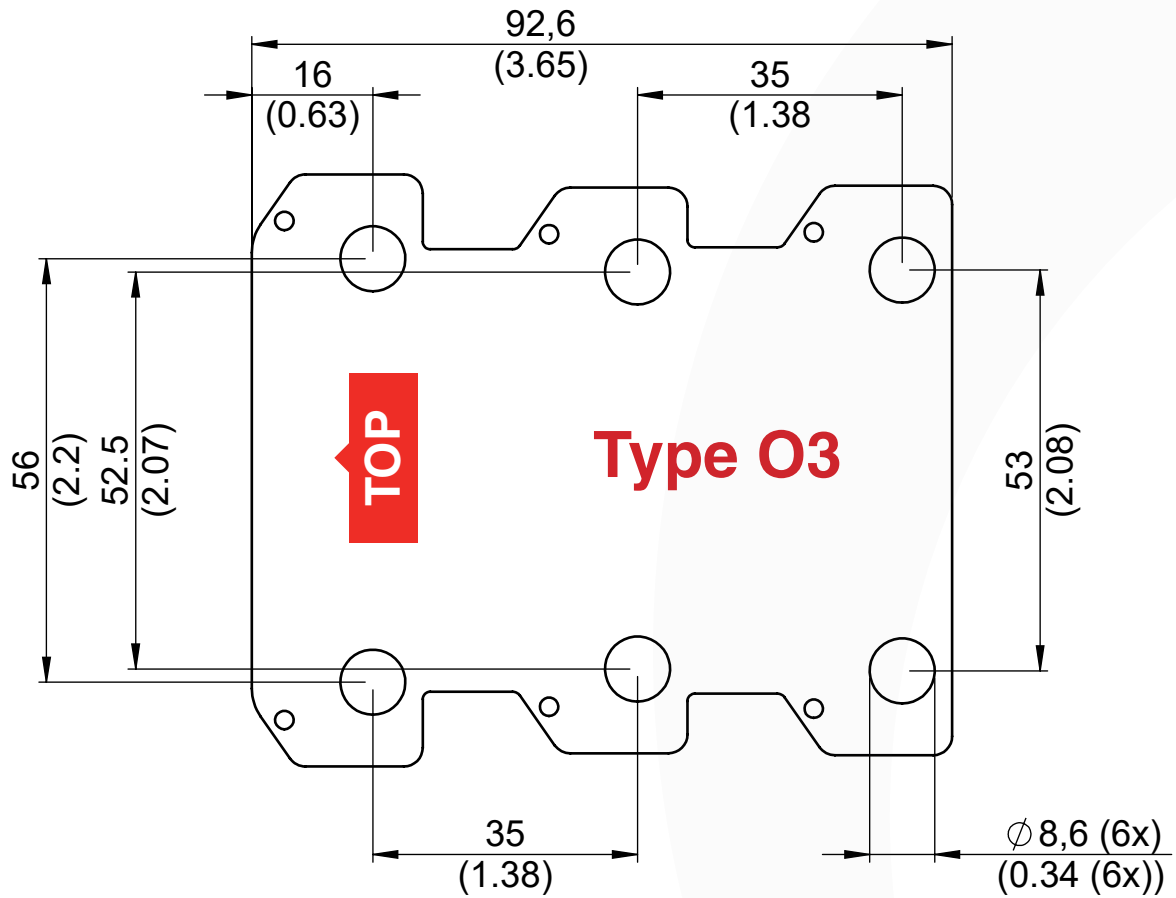
Type O2



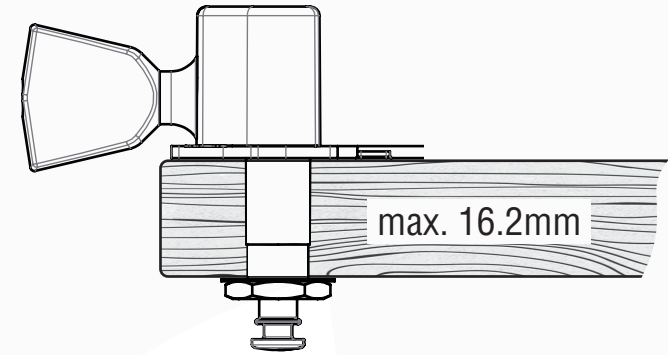
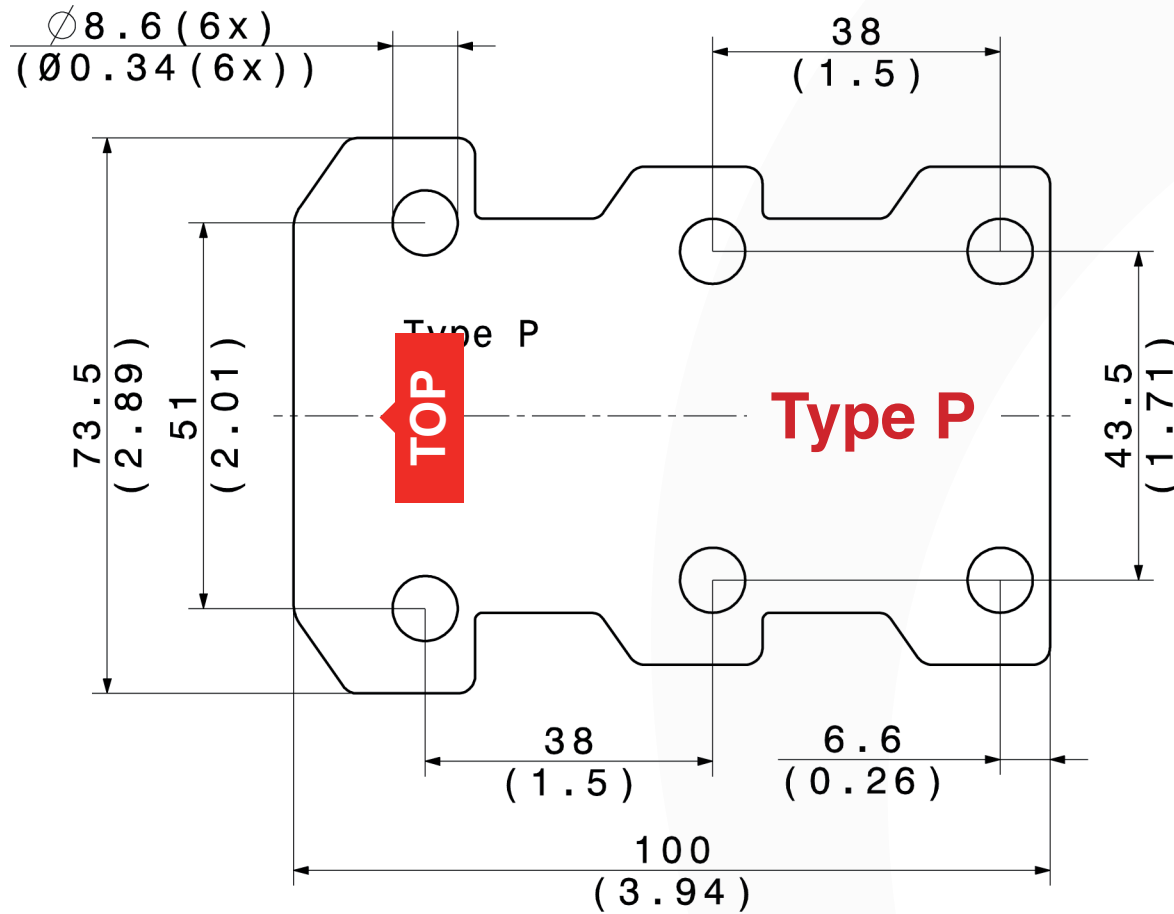
PLACE RULER HERE



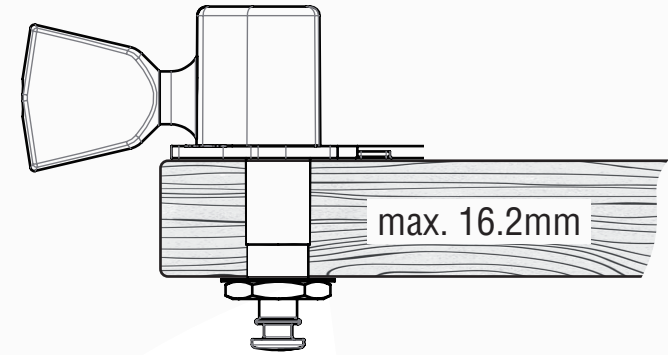
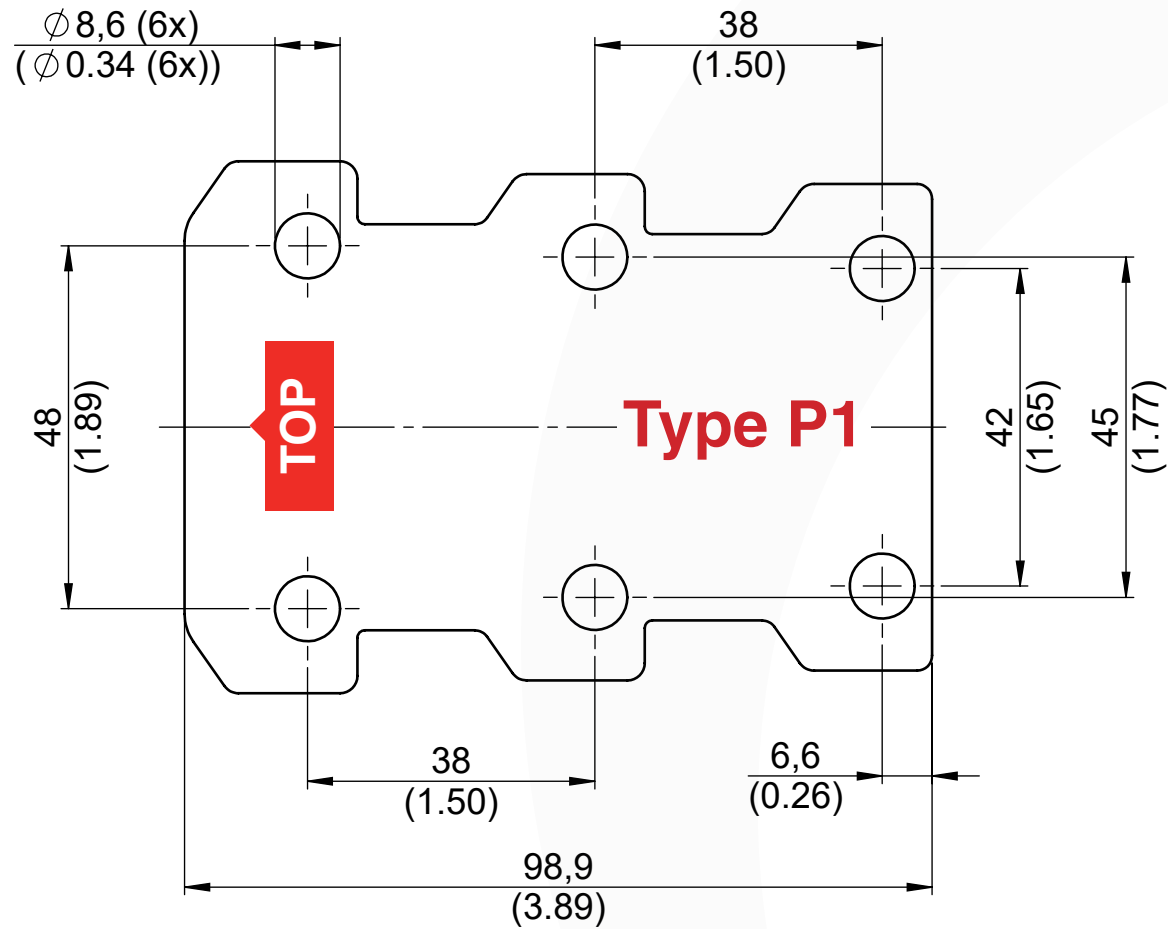
Type O3



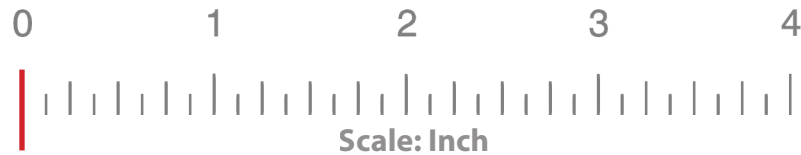
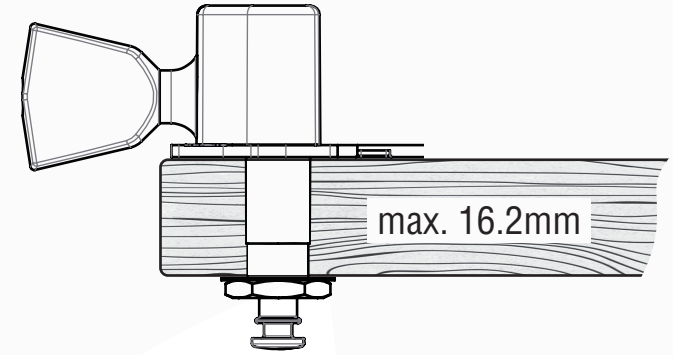
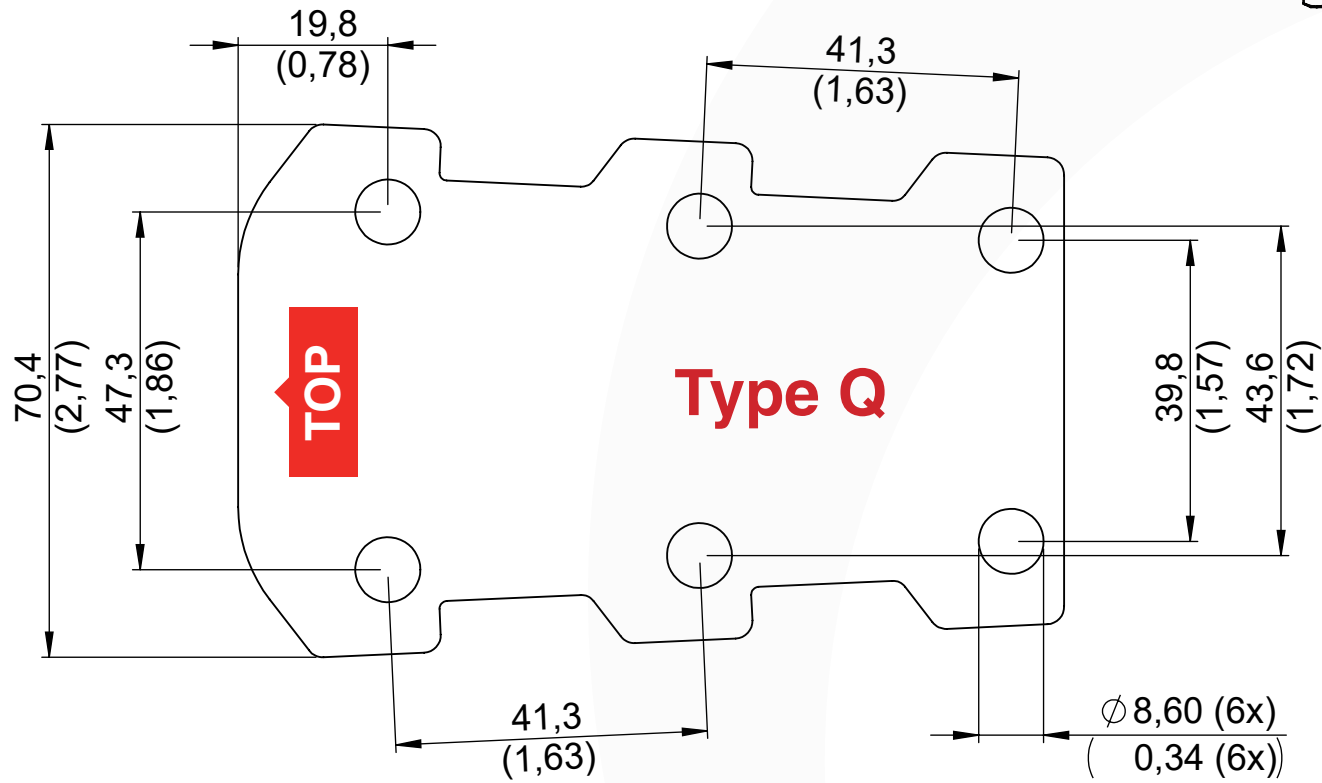
Type P



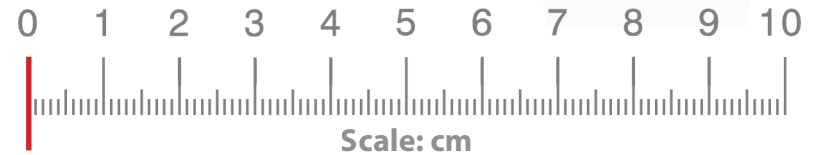
Type P1



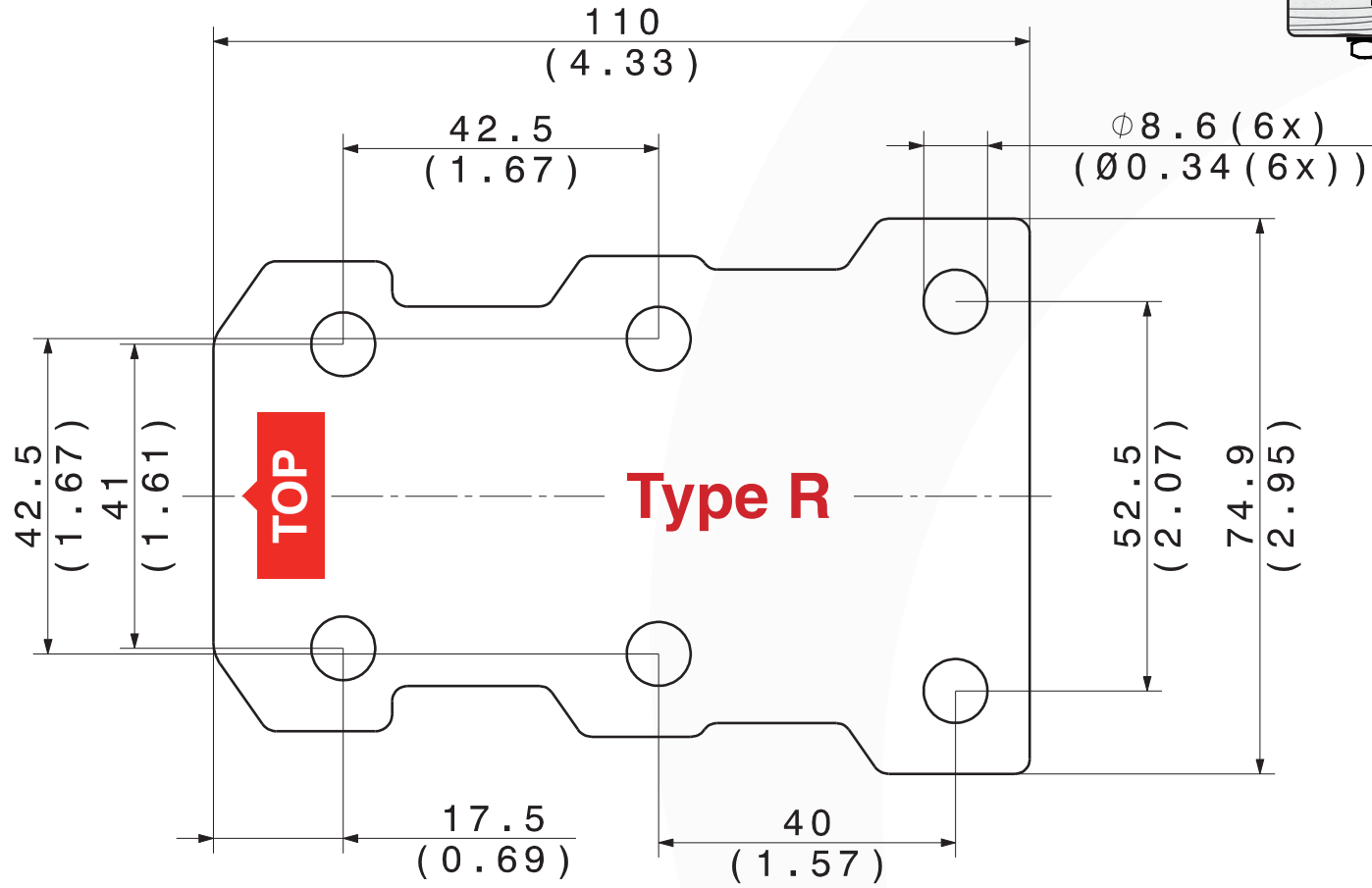
Type Q



PLACE RULER HERE

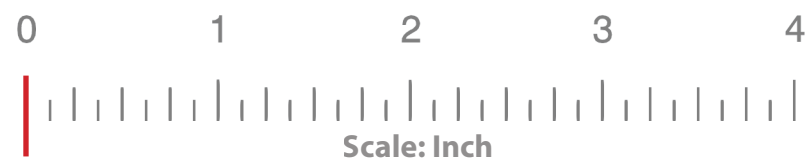
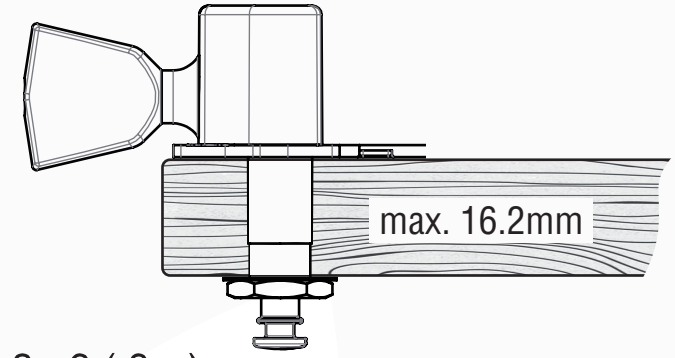


TYPE R

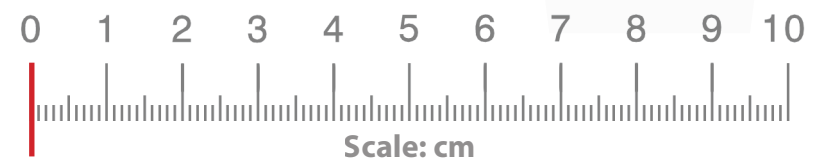


TOP

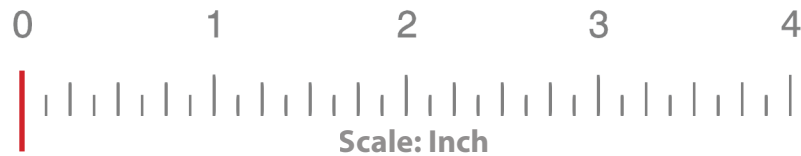
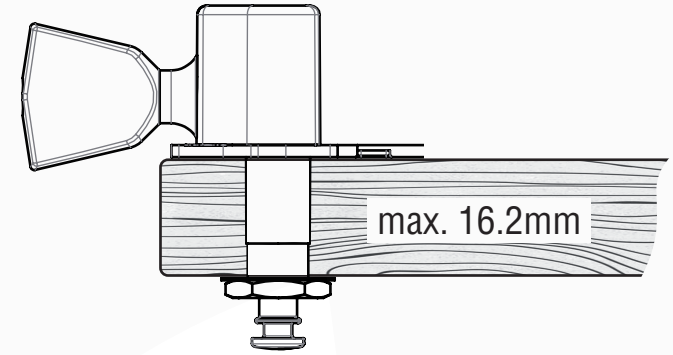
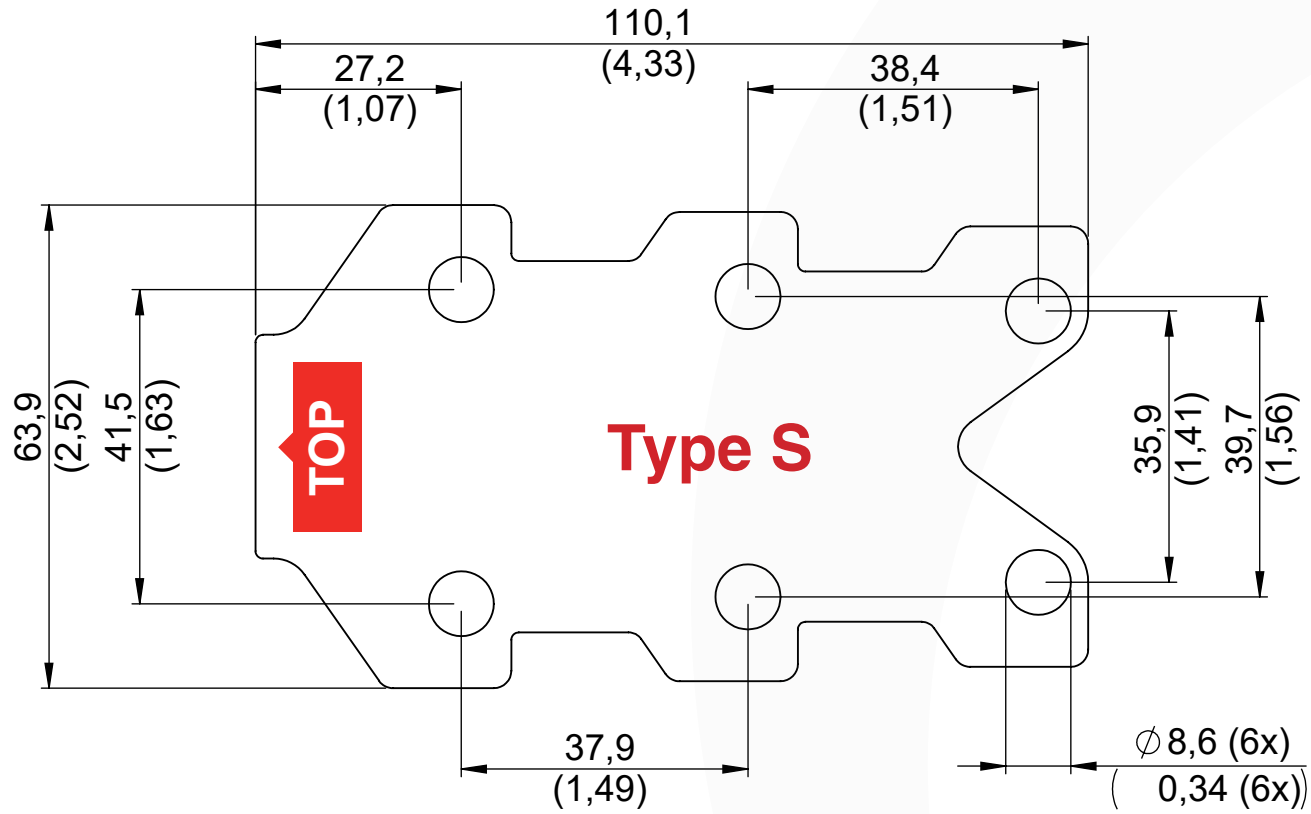
Type R



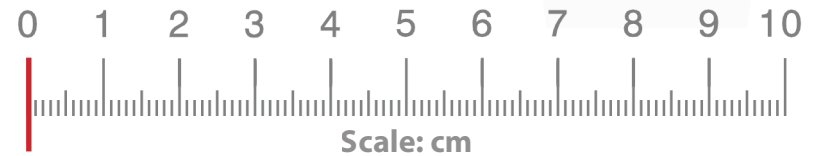
PLACE RULER HERE



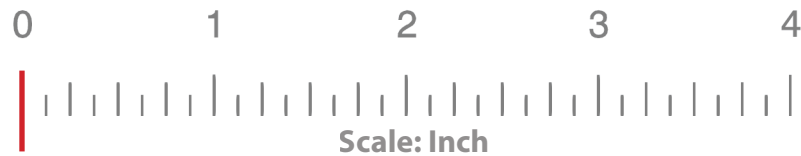
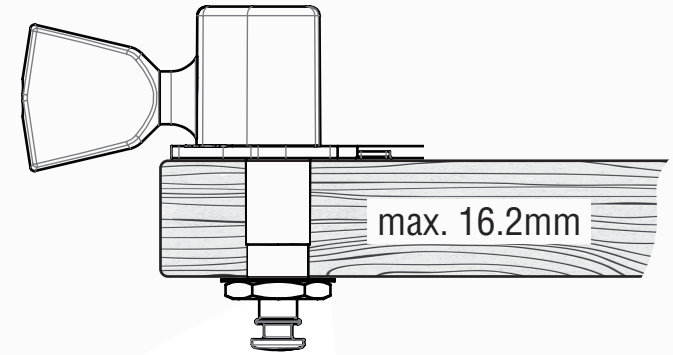
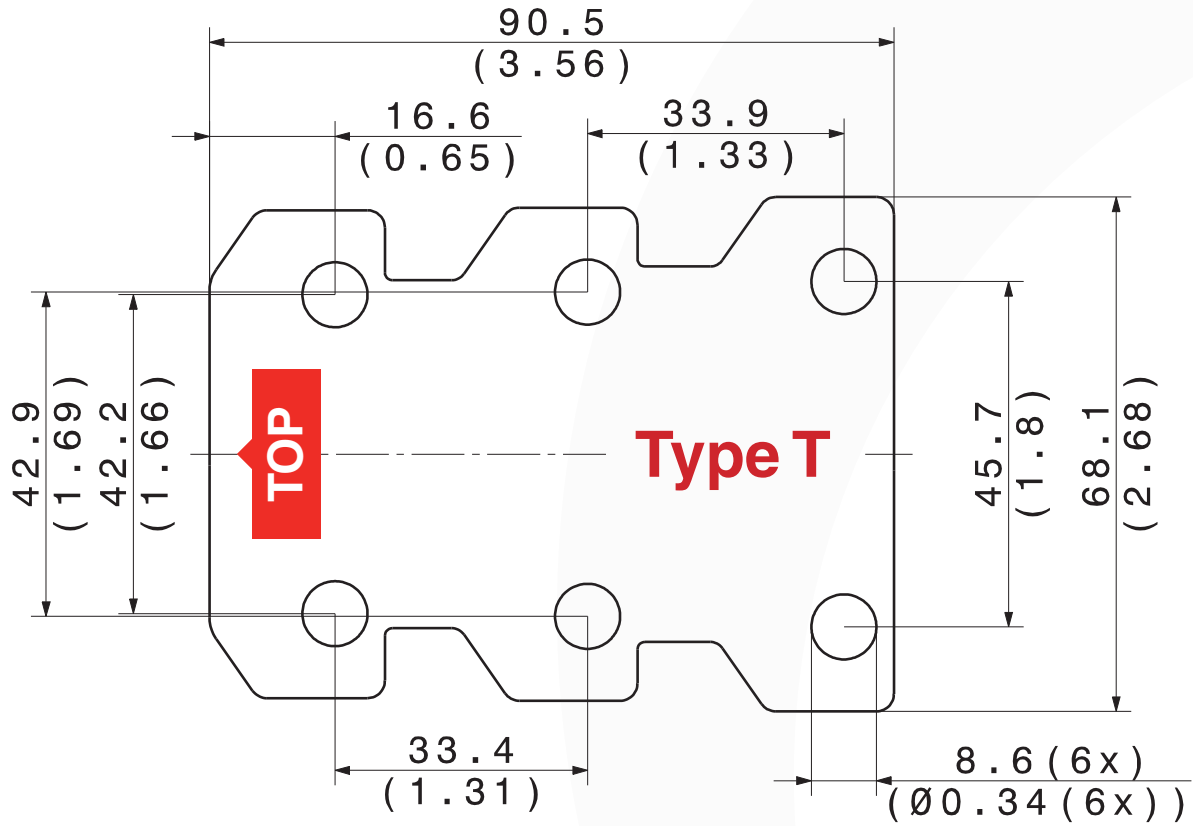
TYPE S



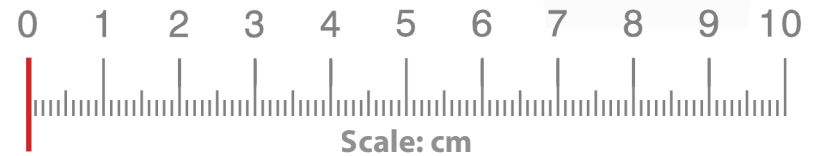
PLACE RULER HERE



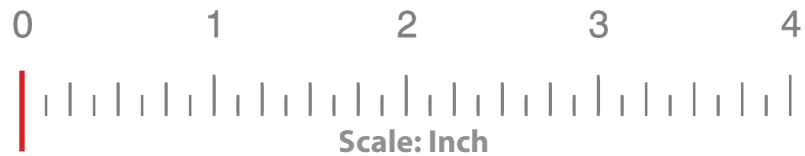
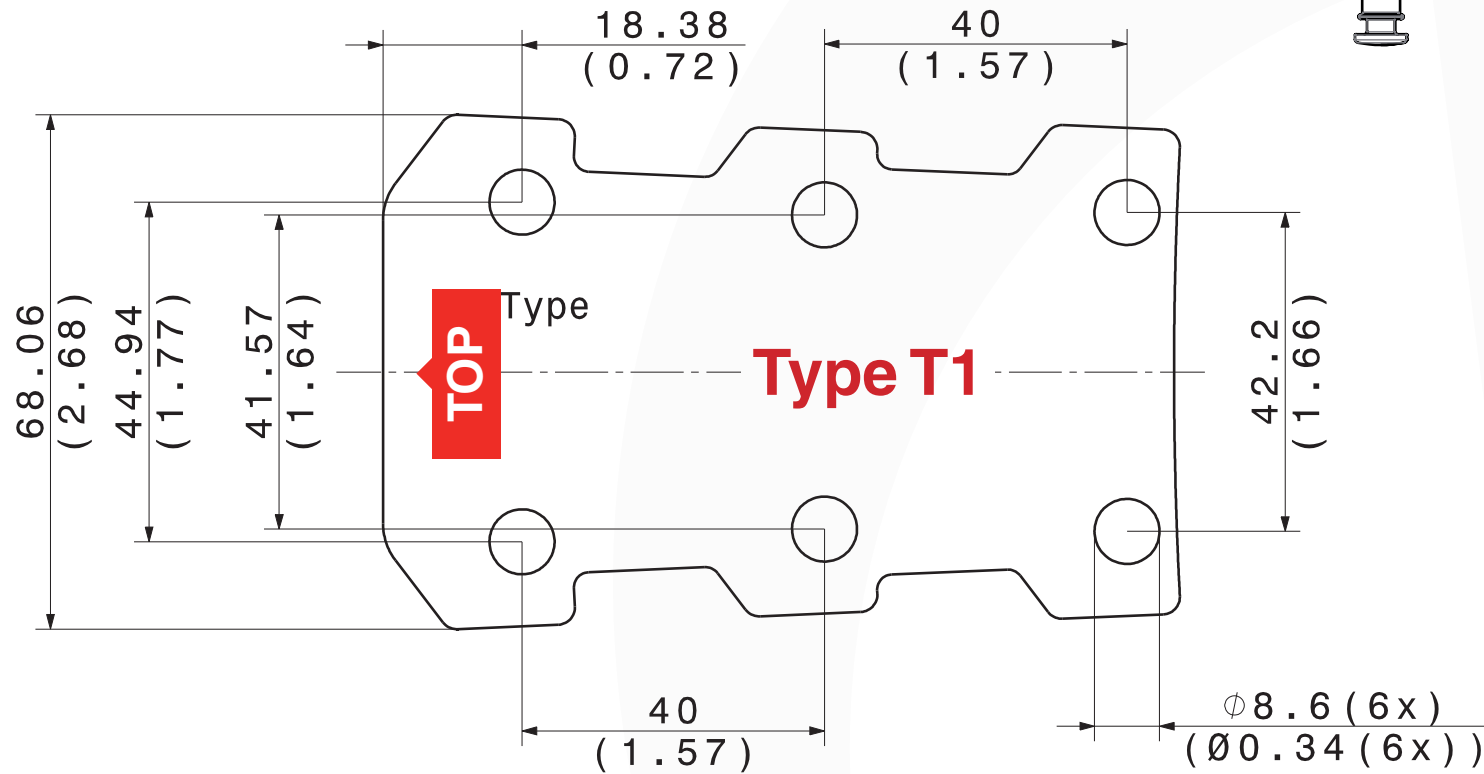
Type T



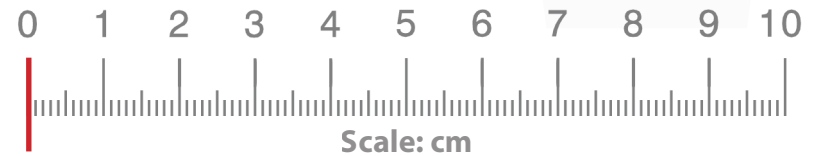
PLACE RULER HERE



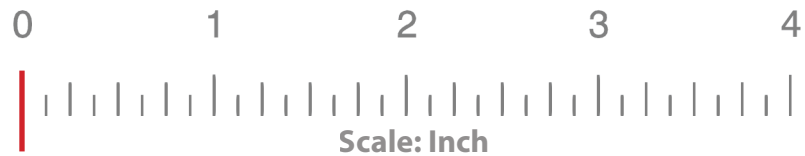
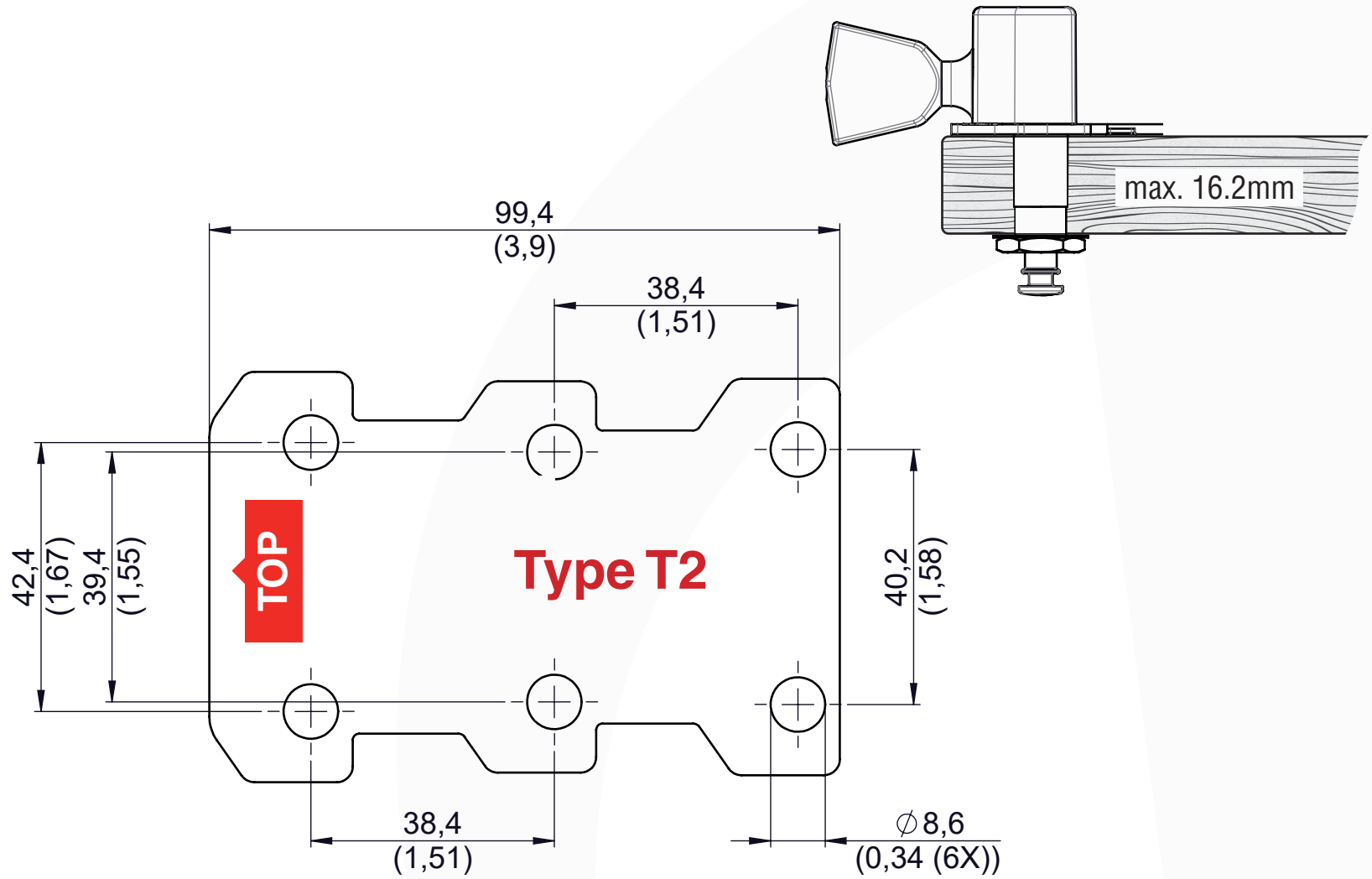
Type T1



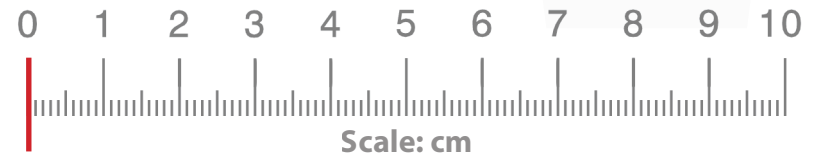
PLACE RULER HERE



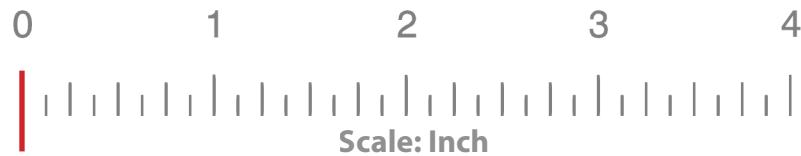
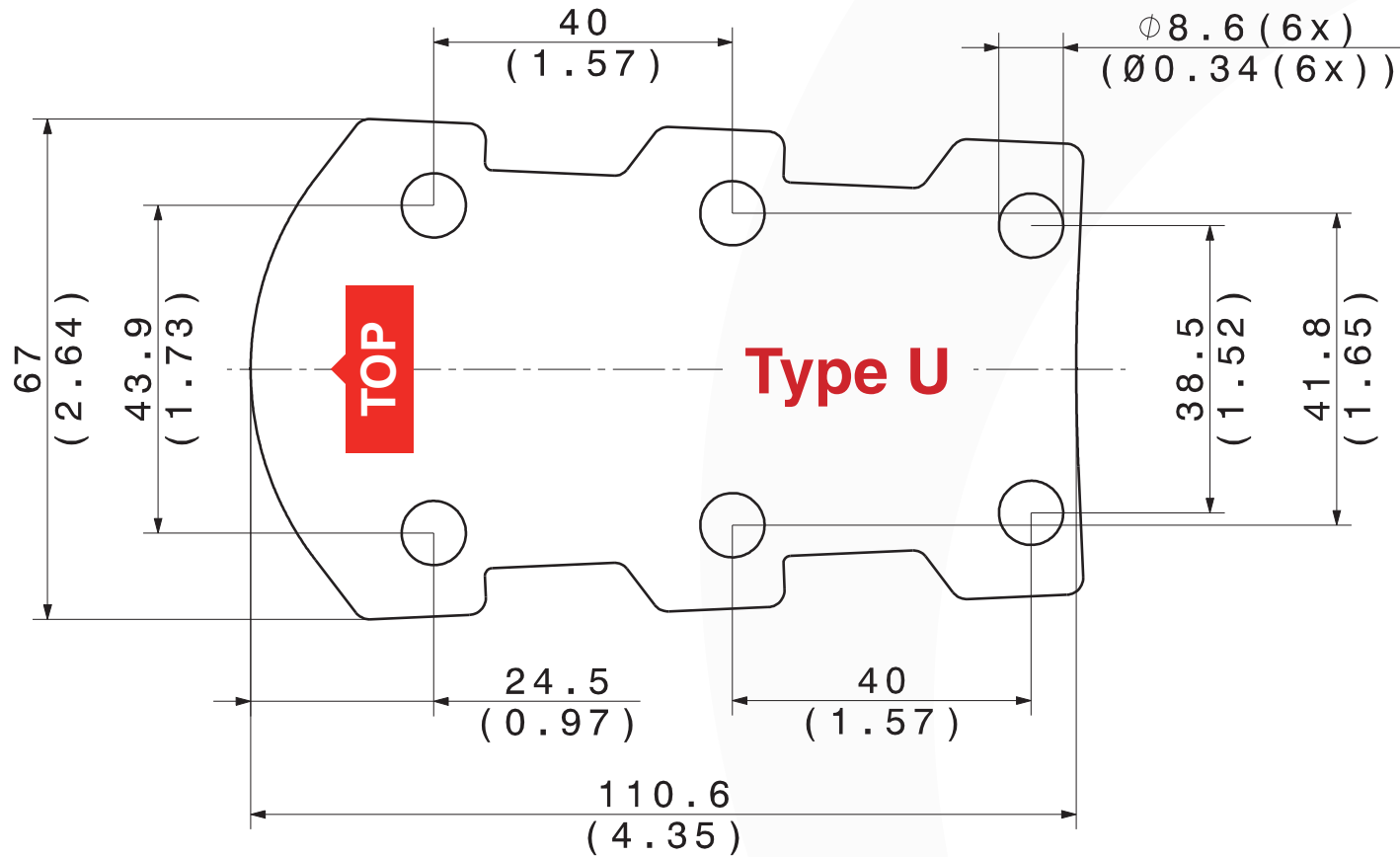
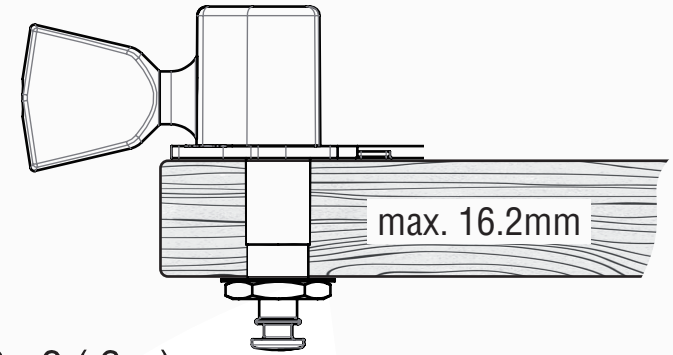
Type T2



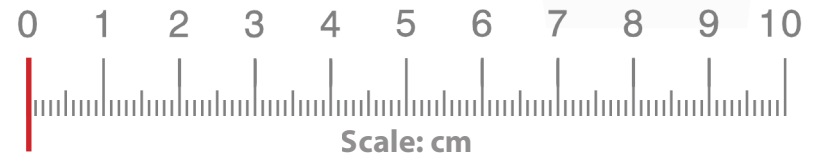
PLACE RULER HERE



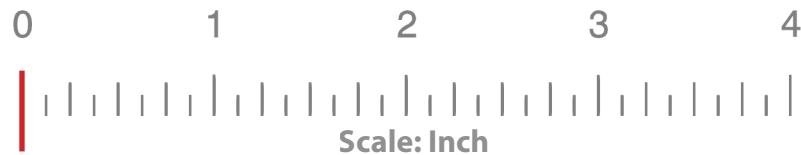
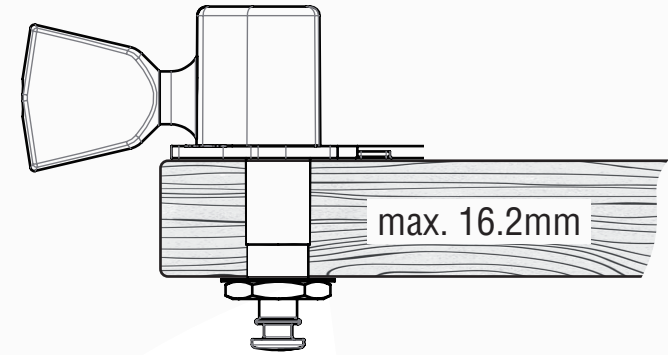
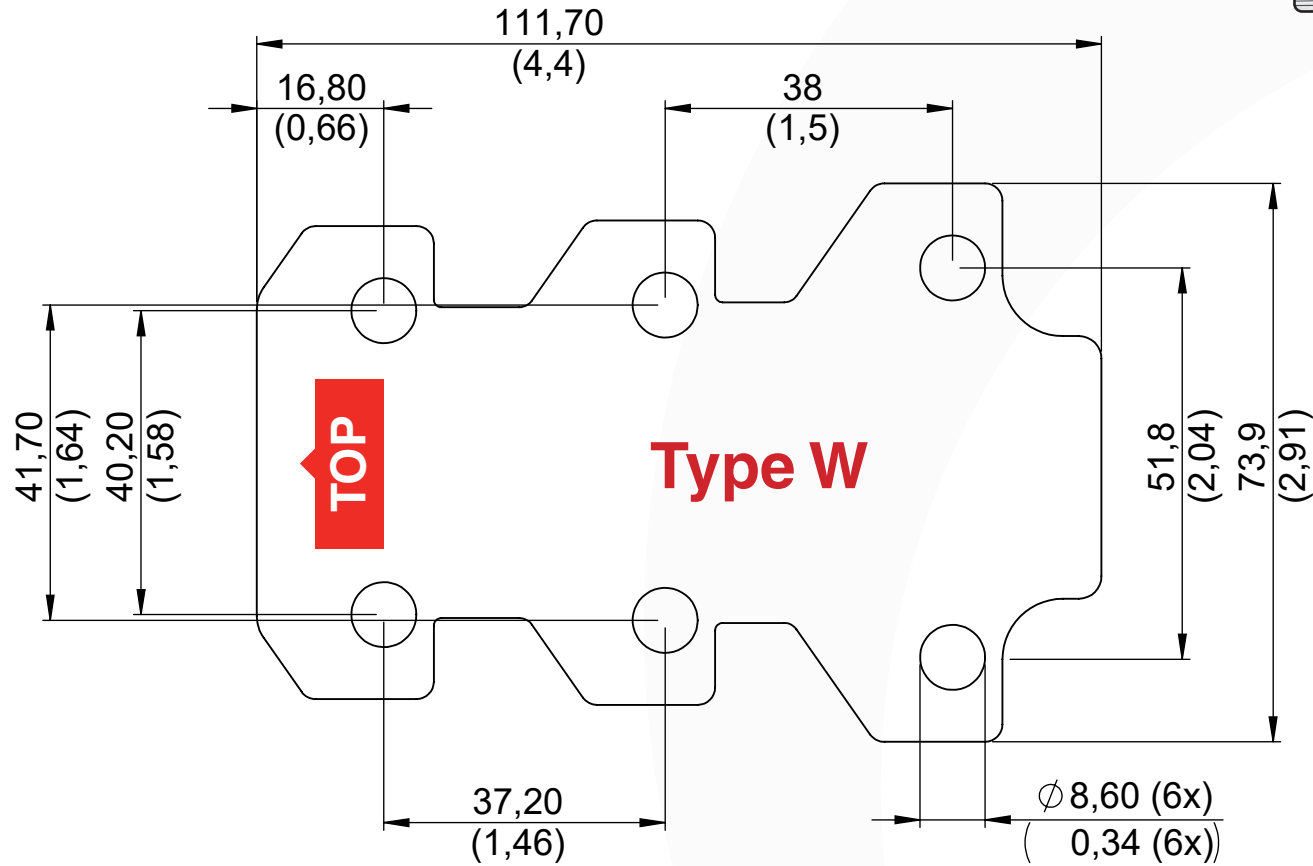
Type U



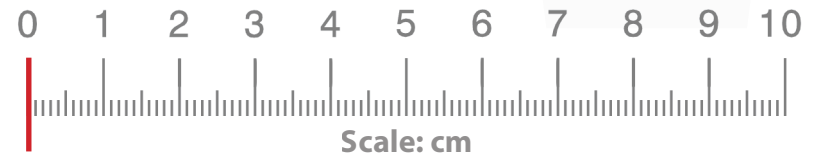
PLACE RULER HERE



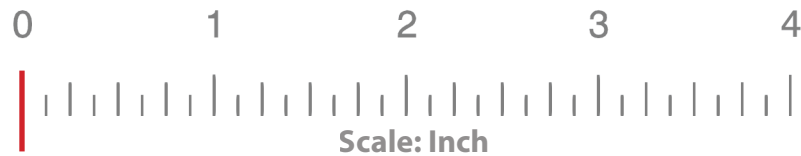
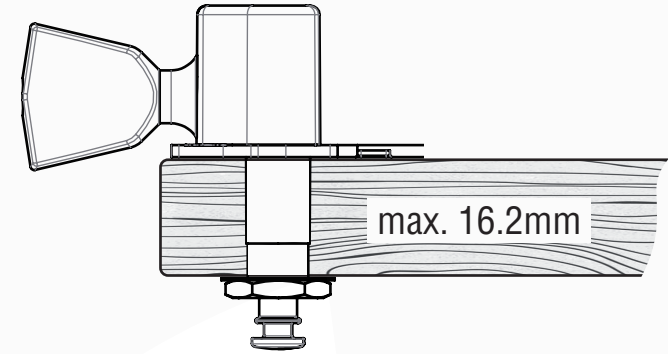
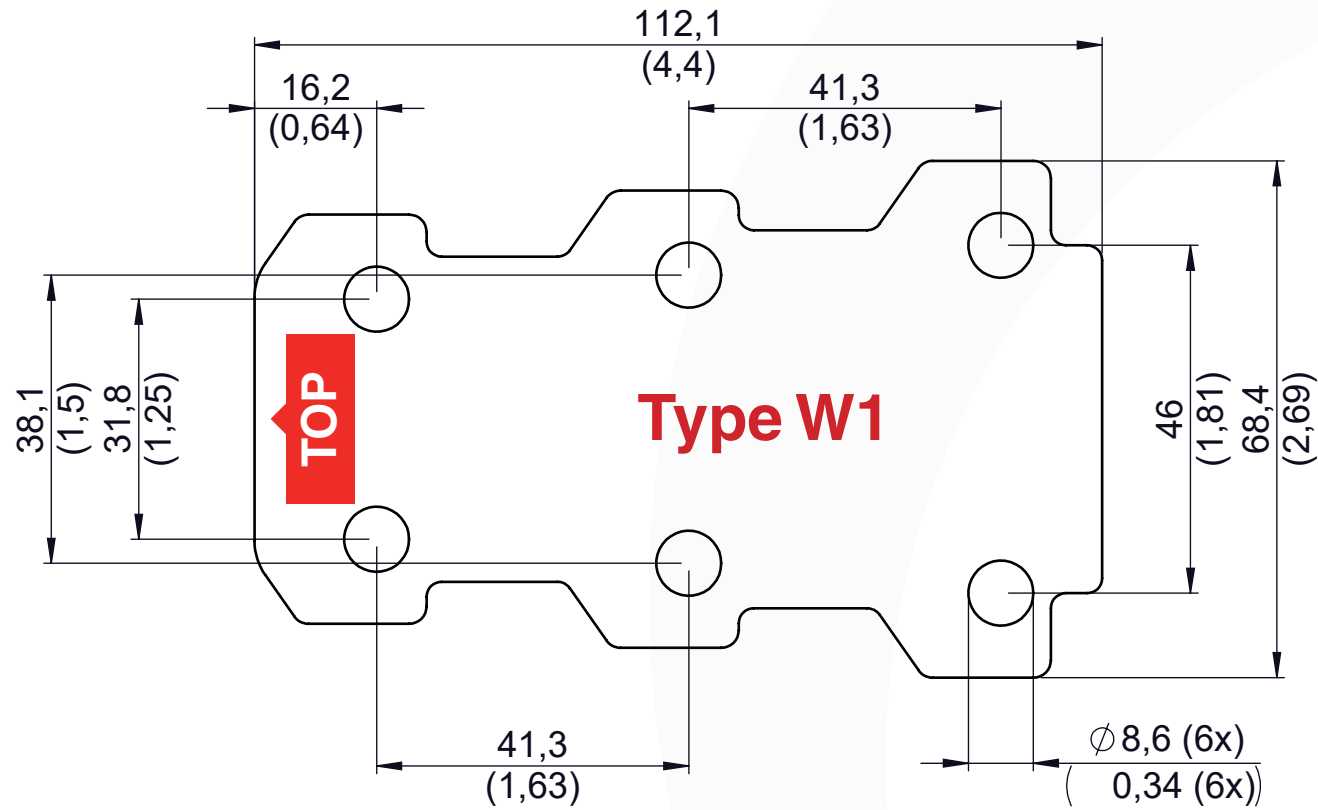
Type W



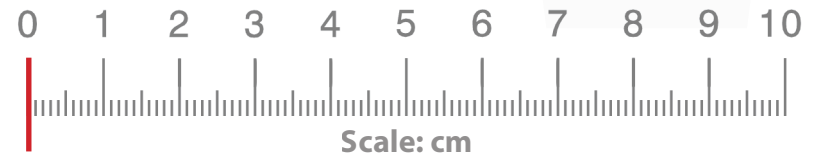
PLACE RULER HERE



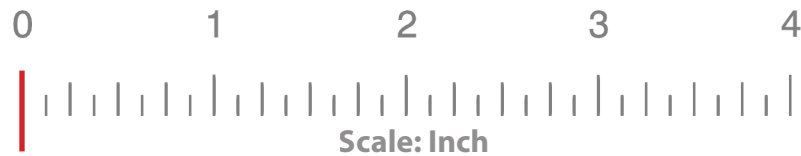
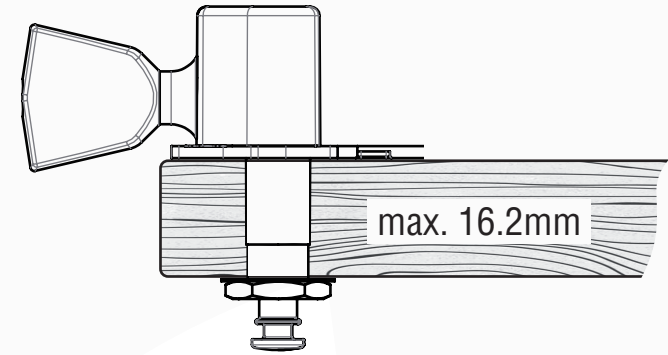
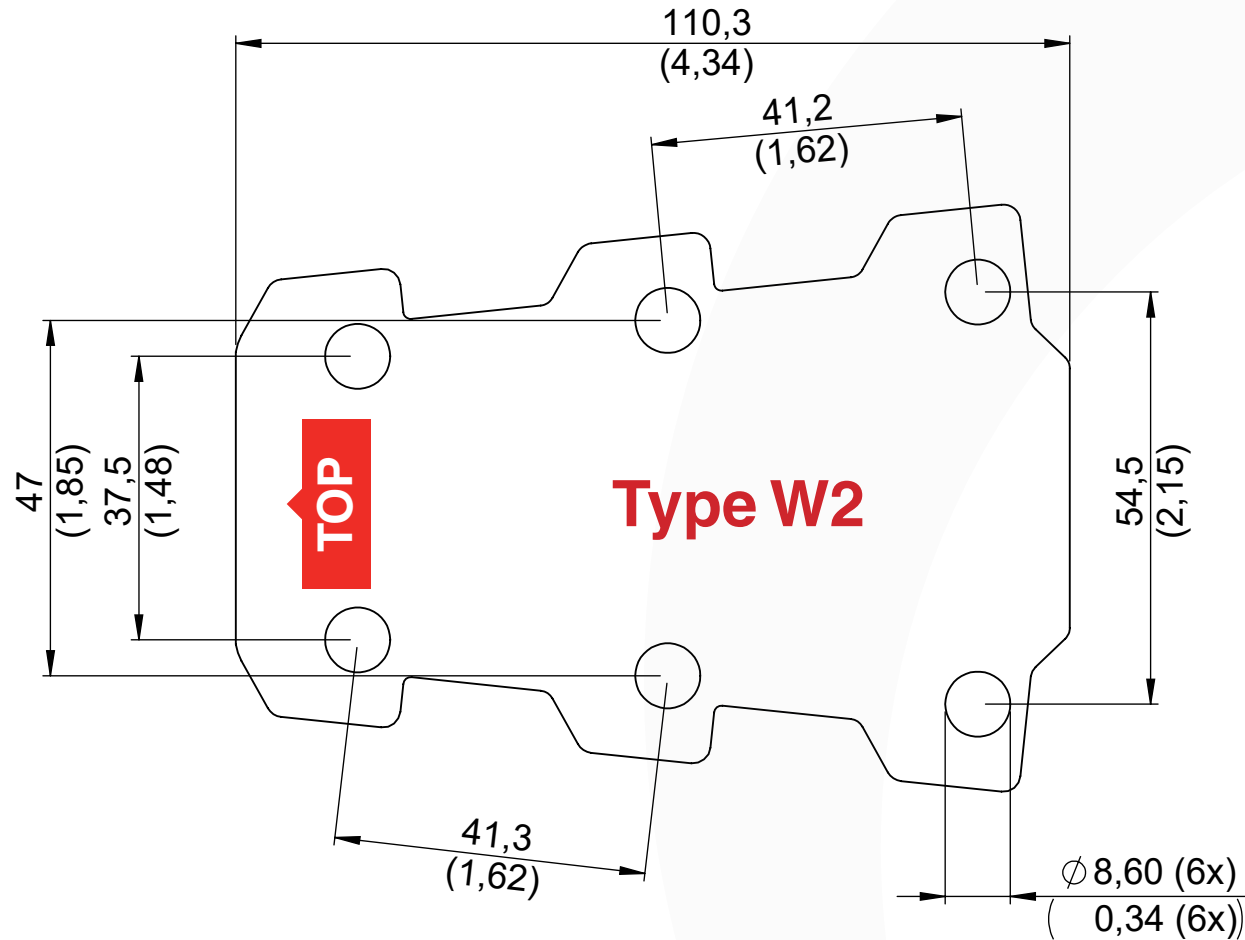
Type W1



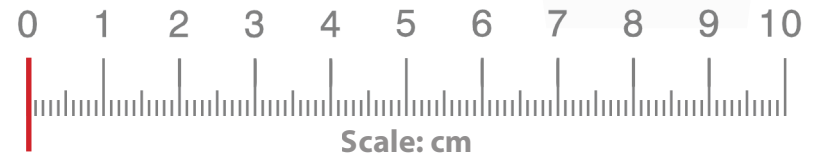
PLACE RULER HERE



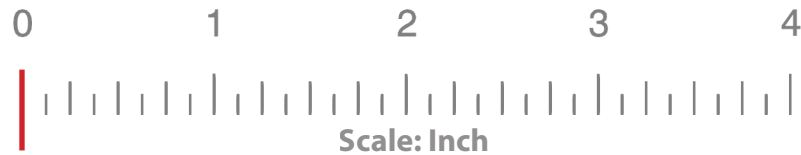
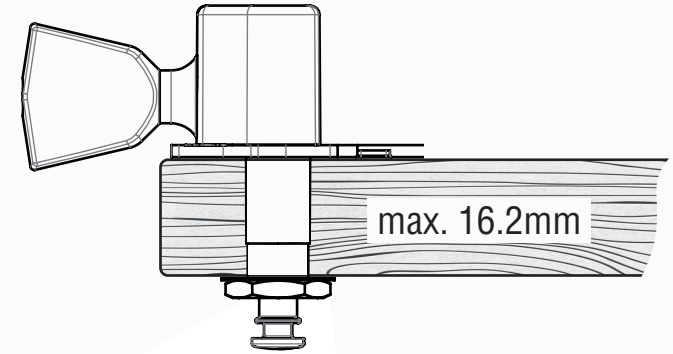
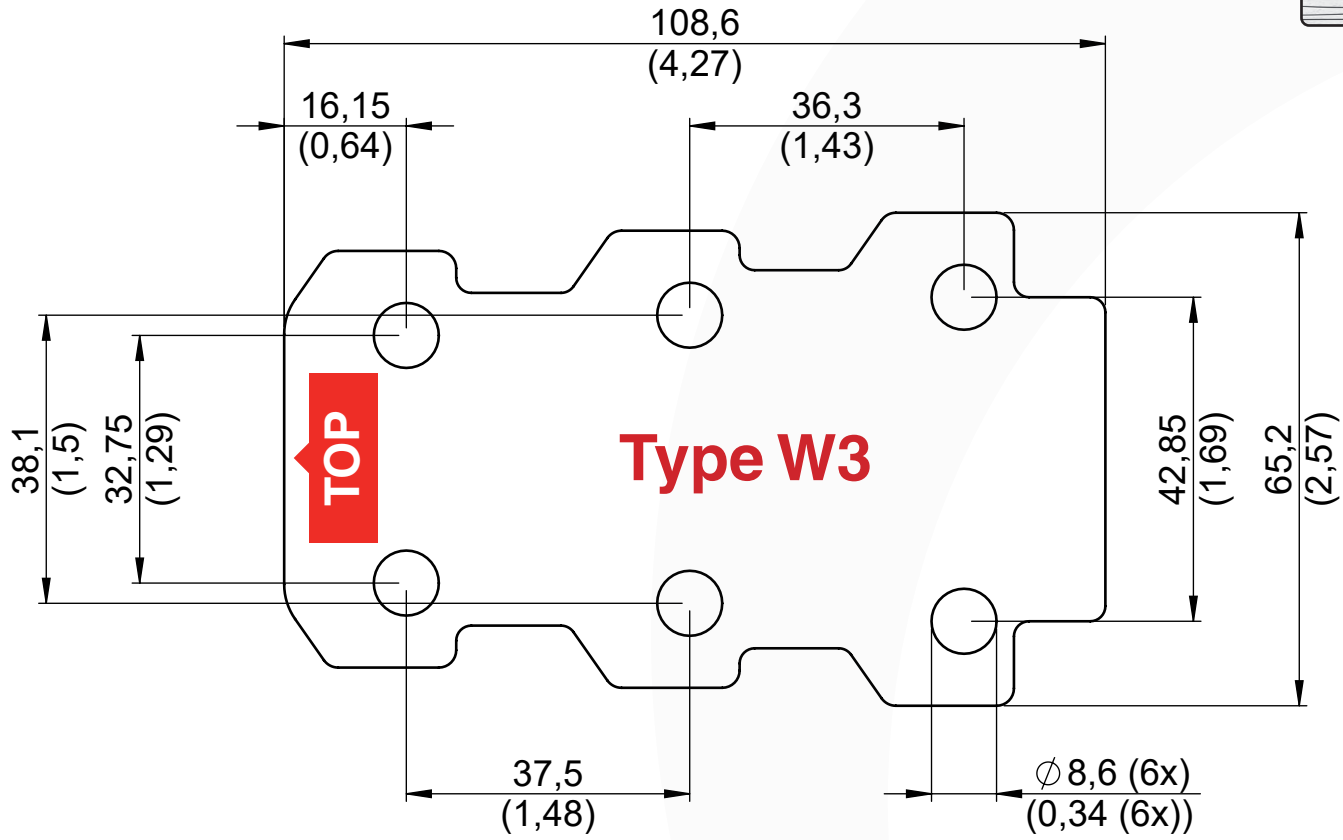
Type W2



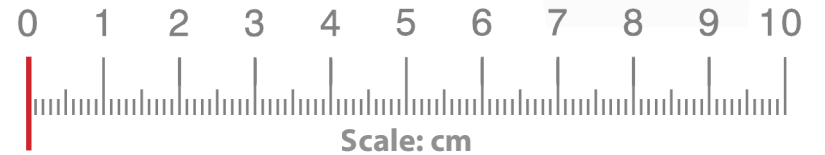
PLACE RULER HERE



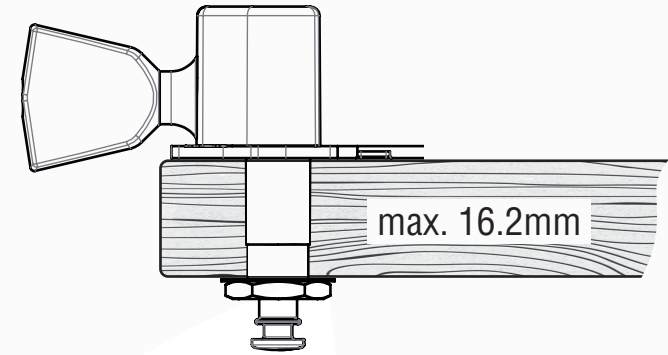
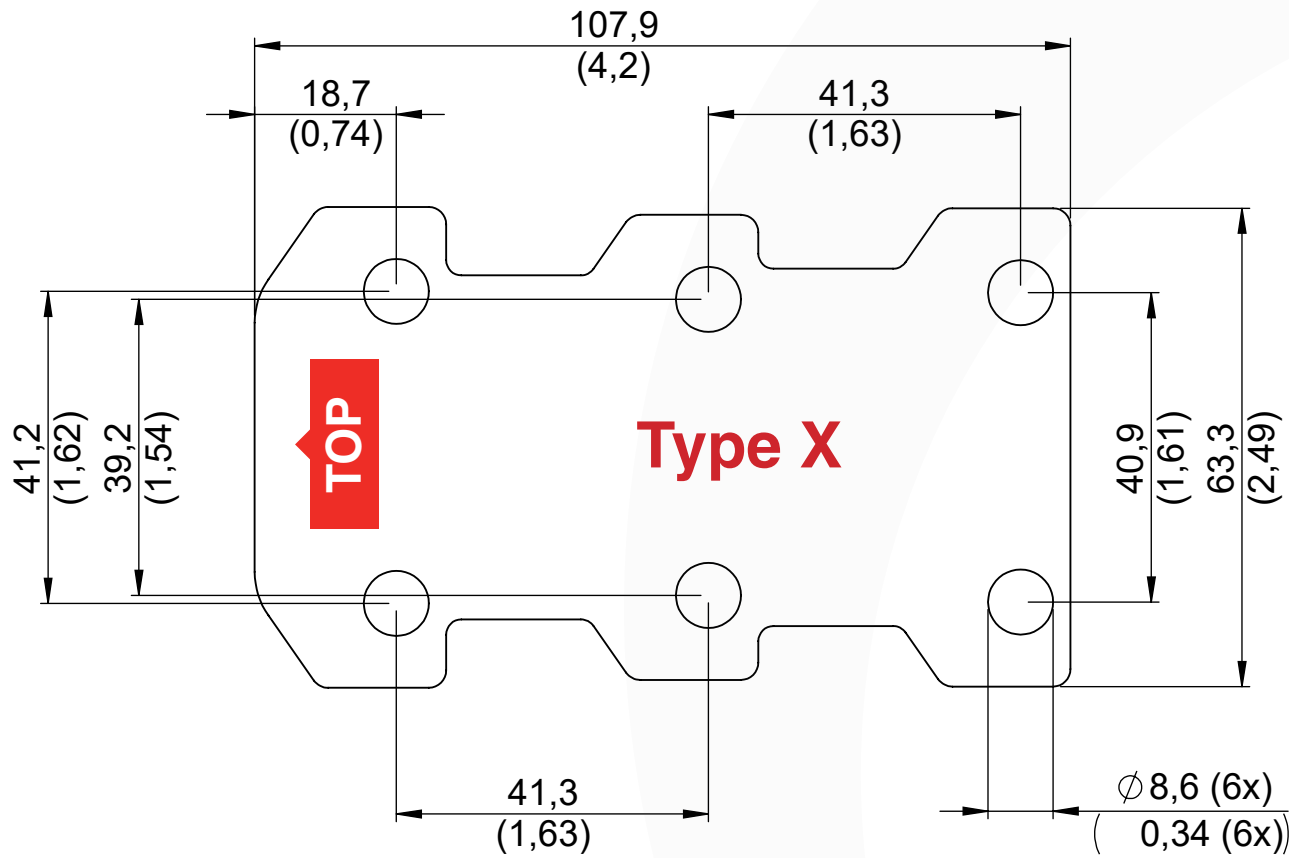
Type W3



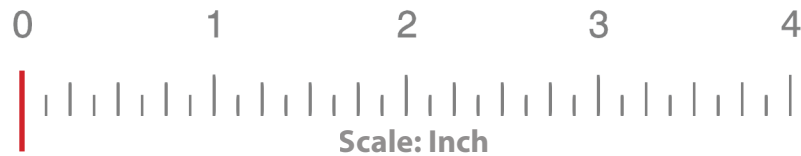
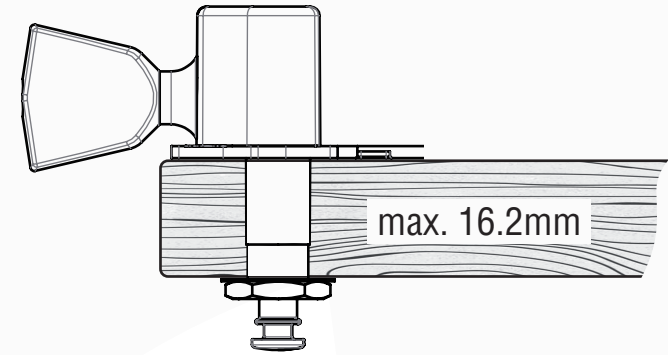
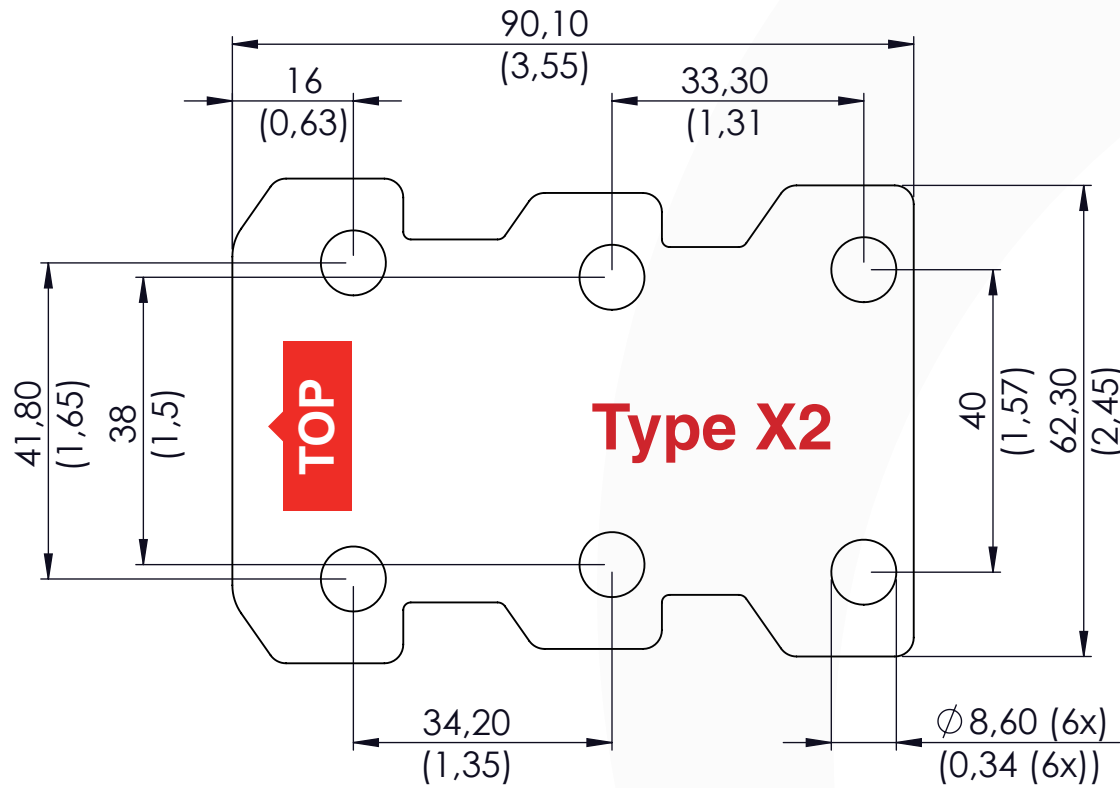
PLACE RULER HERE



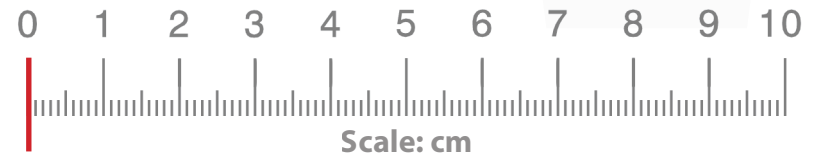
Type X



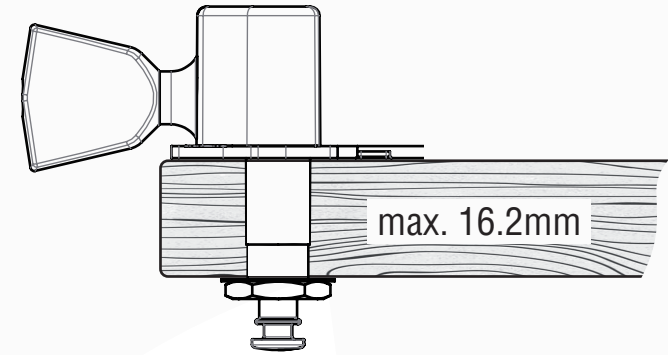
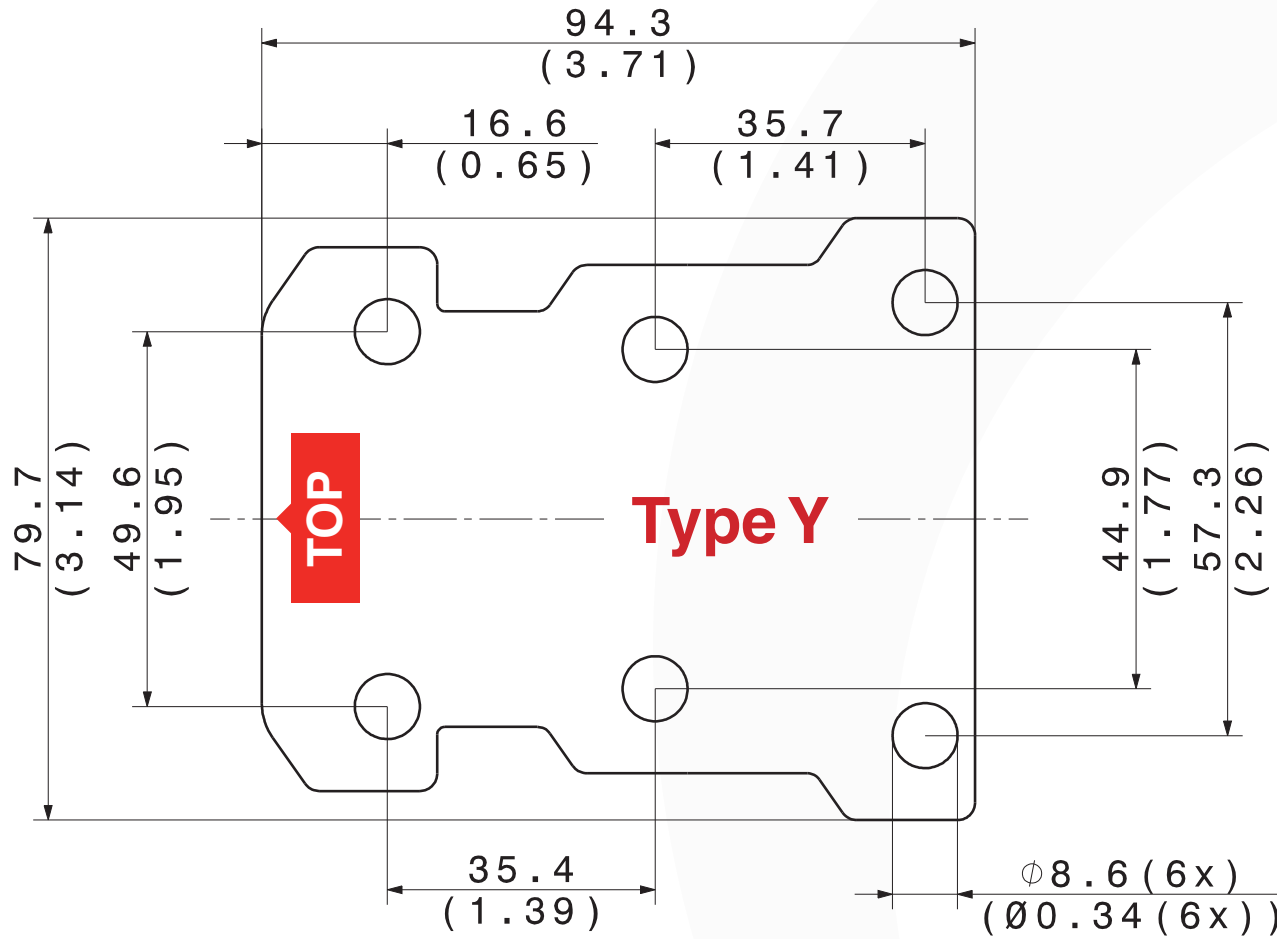
Type X2



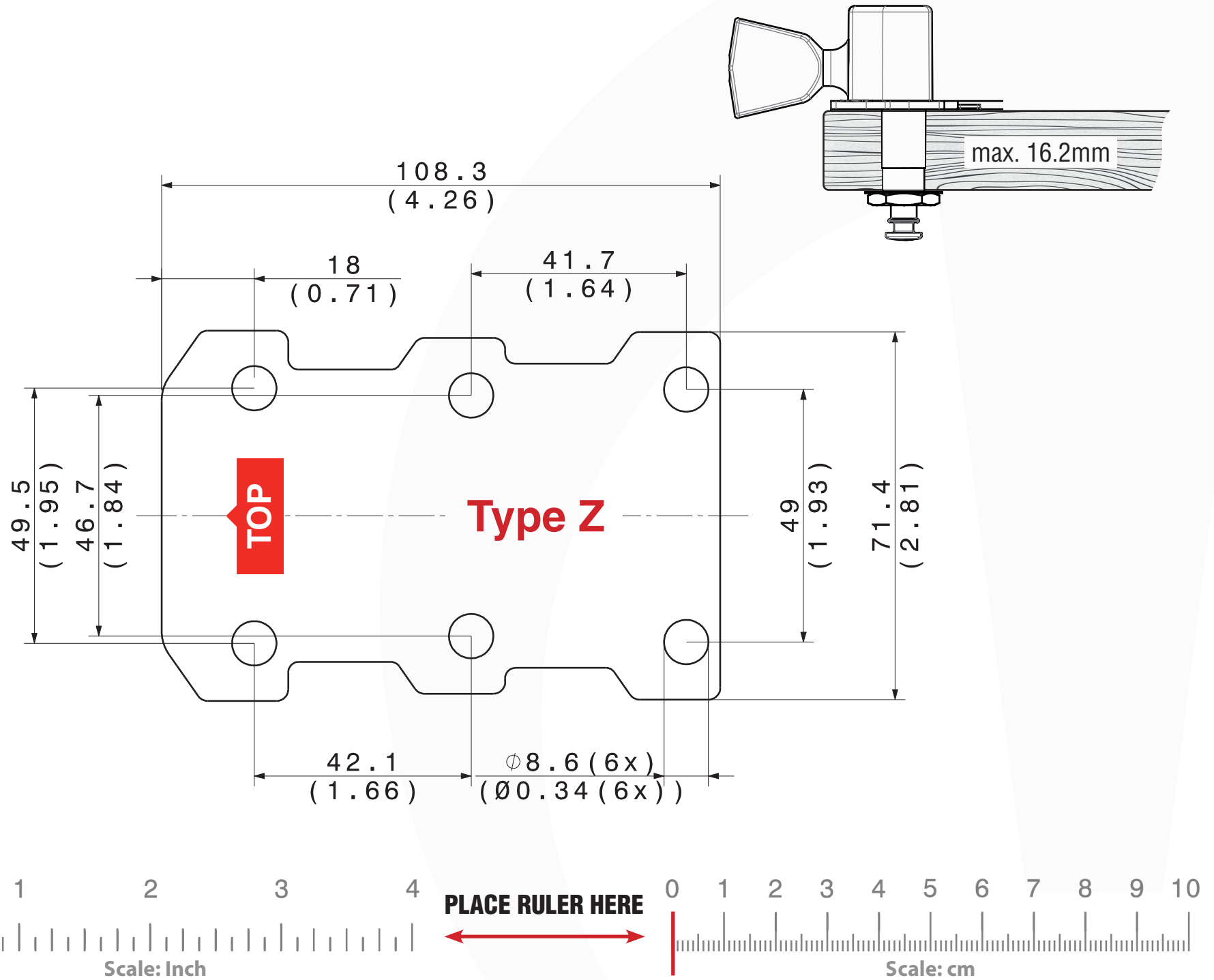
PLACE RULER HERE



Type Y



Type Z

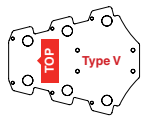


TRONICALTUNE PLUS

Template Types

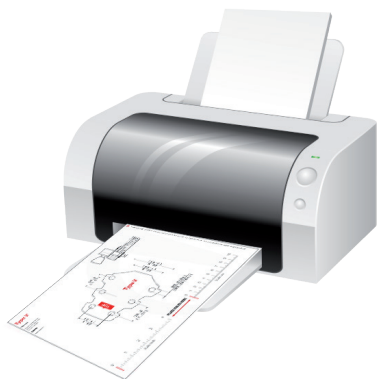


Tronical

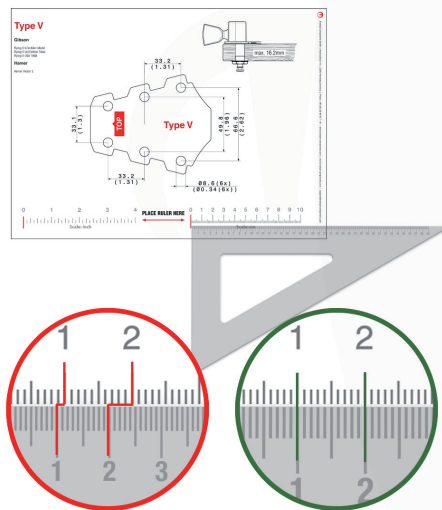


1. Printer Settings:

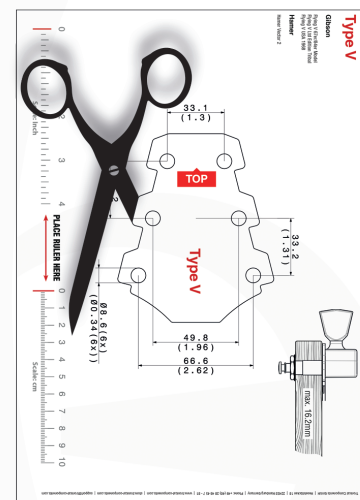
- Size Setting: 100%
- Page Adaption: None
- Page Scaling: None



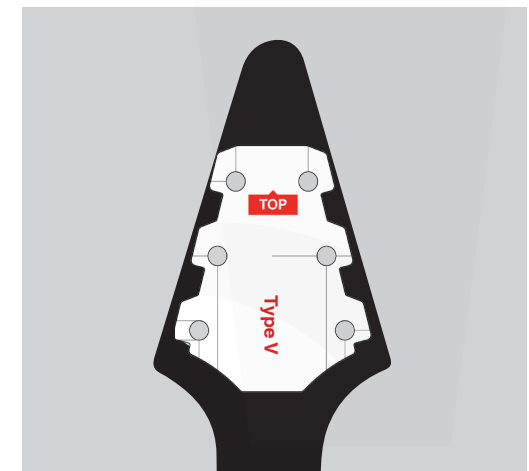
2. Place a ruler onto the printed templates to **check correct printout size**



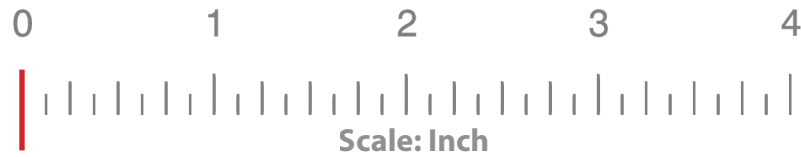
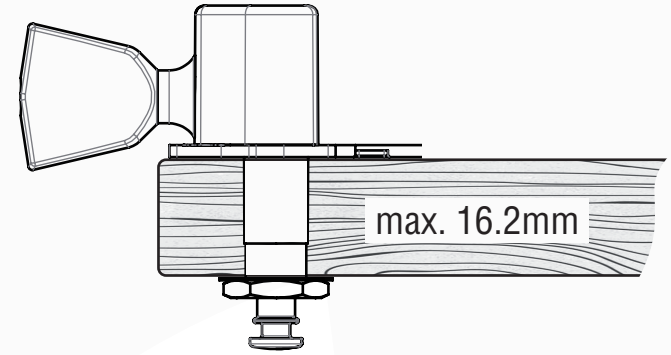
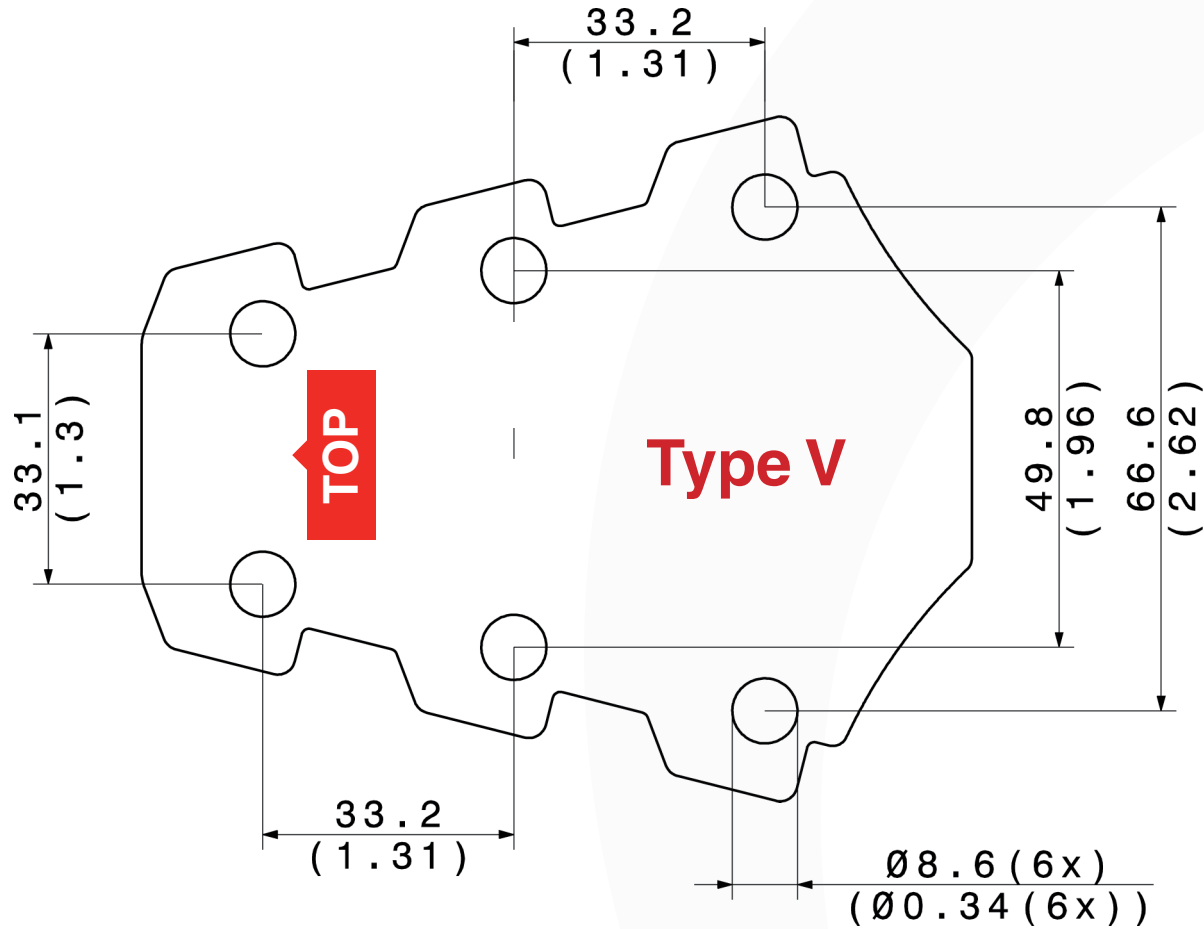
3. Cut-out the templates



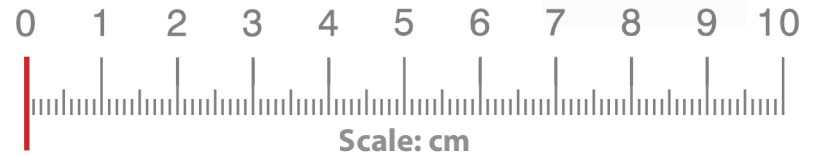
4. Place the templates **on the back** of your guitar headstock. Check if the holes of the template are congruent to the holes of your guitar. When they are congruent you identified the template that fits your guitar. Enter this type during the order process.



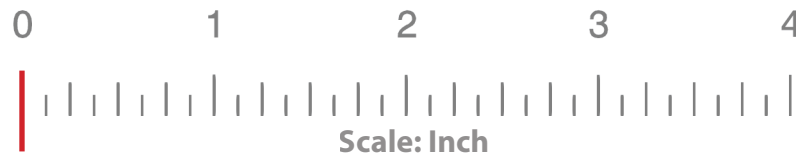
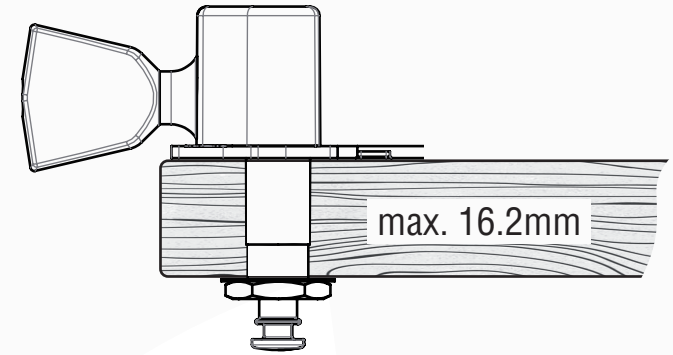
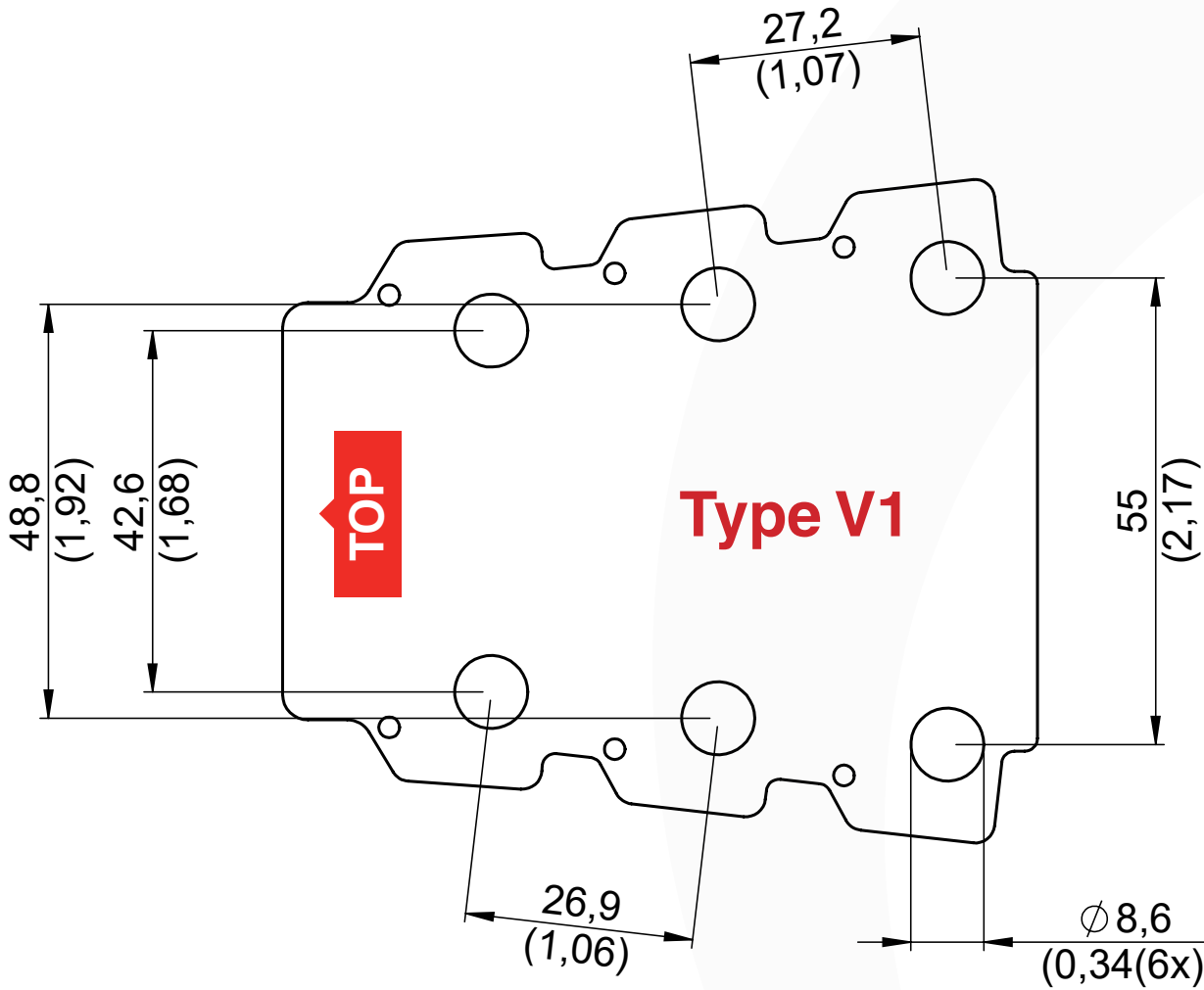
Type V



PLACE RULER HERE



Type V1



PLACE RULER HERE

